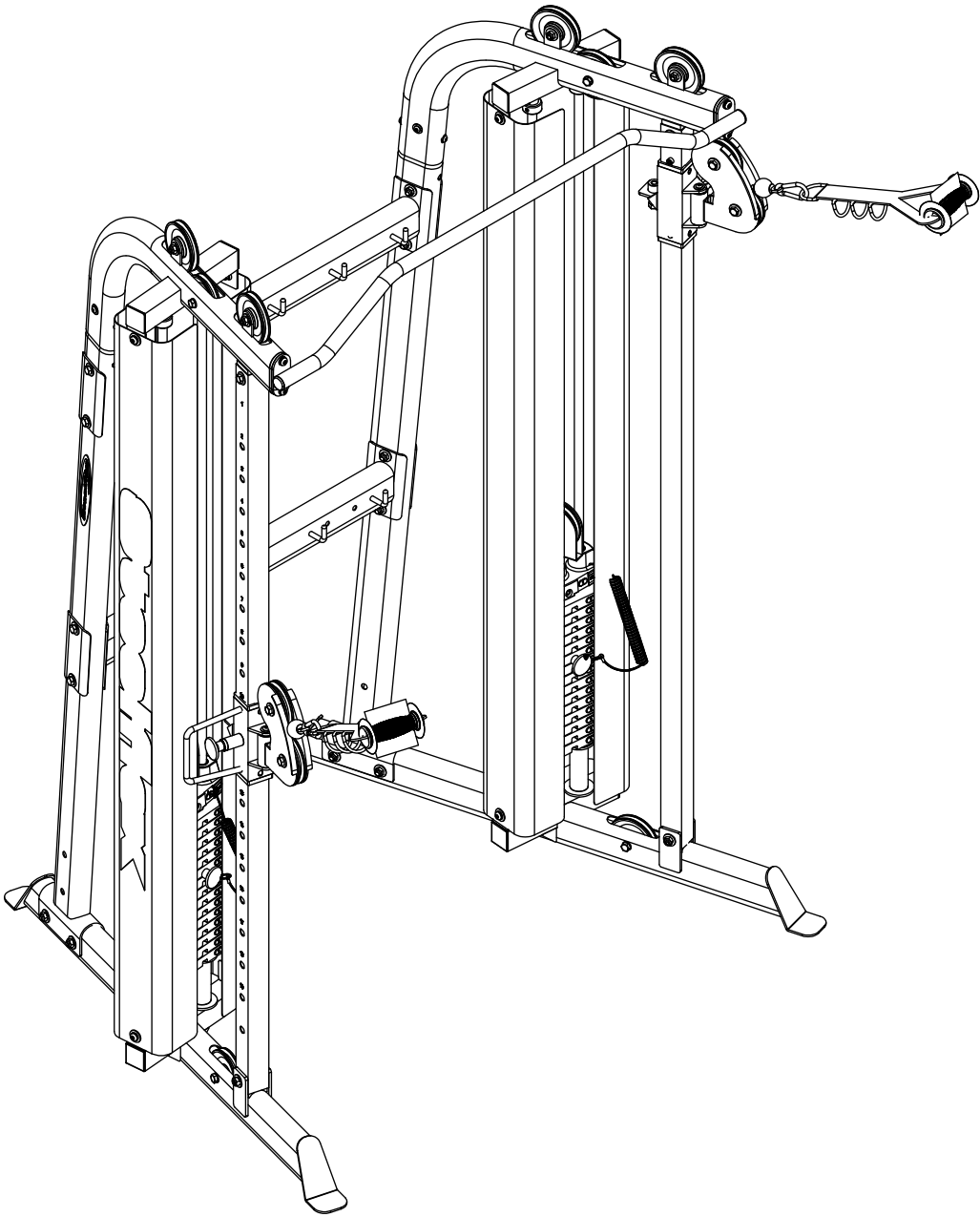




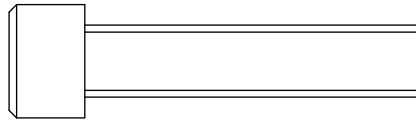
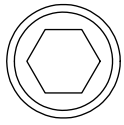
CLDCC



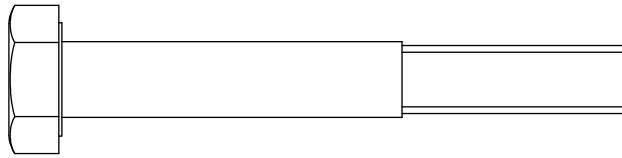
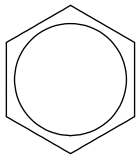
Assembly & Instructions
OWNER'S & MANUAL

CLDCC HARDWARE
(shown in actual size)

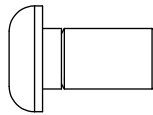
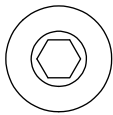
A1. 3/8" x 1 3/4" Allen Head Bolt...2PCS



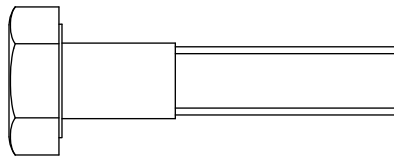
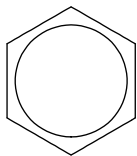
A2. M10X75L Hex Head Bolt...14PCS



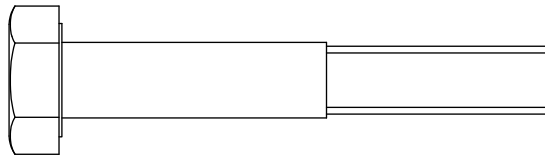
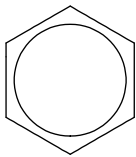
A3. M8X15L Allen Screw...12PCS(pre-installed)



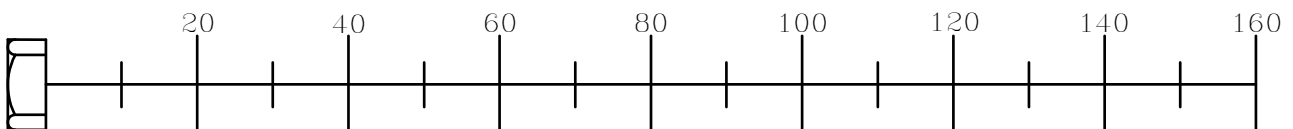
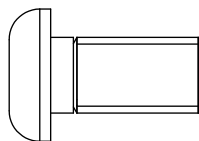
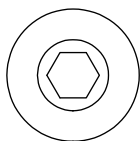
A4. M10X45L Hex Head Bolt...10PCS



A5. M10X65L Hex Head Bolt...6PCS



A6. M10X20L Allen Screw...12PCS



CLDCC HARDWARE
(shown in actual size)

A7. M8X10L Allen Head Bolt...2PCS(pre-installed)



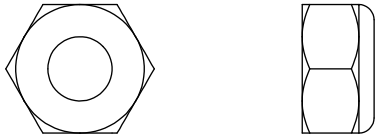
A8.M8x8L Allen Screw...4PCS (pre-installed)



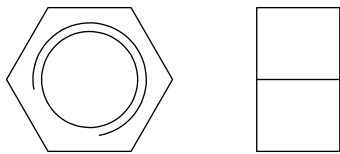
A9.M5x4L Allen Screw...2PCS (pre-installed)



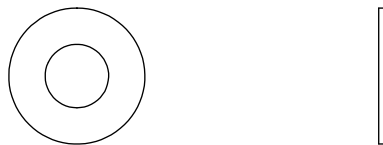
B1.M10 NYLON LOCK NUT...30PCS



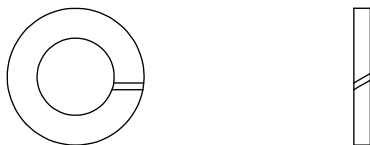
B3.1/2" NUT(13 tooth)...4PCS



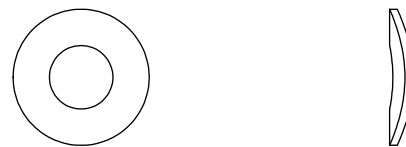
C1.M8 WASHER (Ø22)...8PCS(pre-installed)



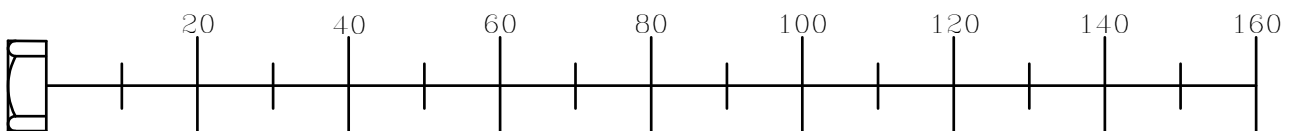
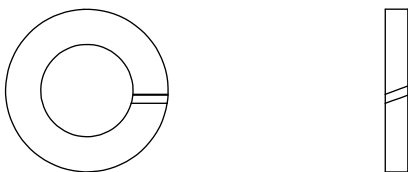
C2.M10 SPRING WASHER...8PCS



C3.M8 Arc WASHER...4PCS(pre-installed)

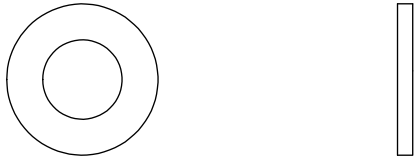


C4.1/2" SPRING WASHER...2PCS

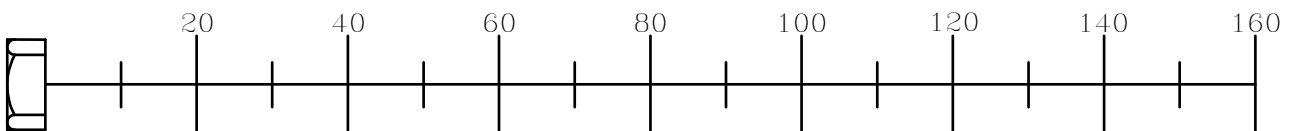
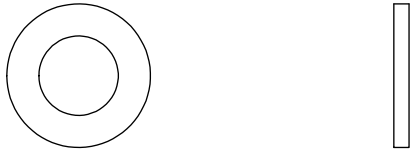


CLDCC HARDWARE
(shown in actual size)

C5.M10 WASHER (Ø28)...60PCS

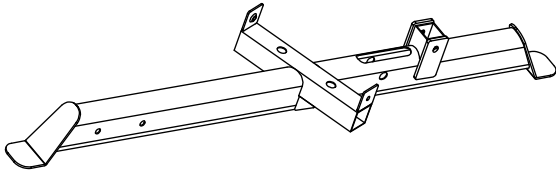


C8.M10 WASHER (Ø19)...4PCS

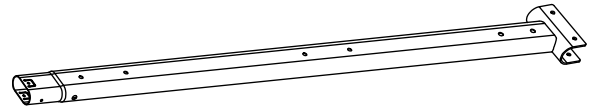


CLDCC HARDWARE
(shown in actual size)

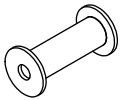
A[1PCS]



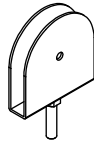
B[2PCS]



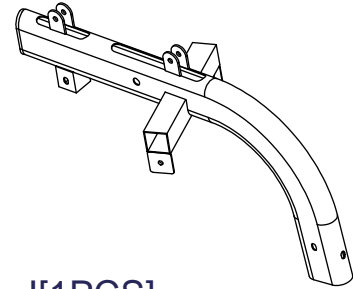
C[4PCS]



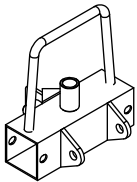
D[2PCS]



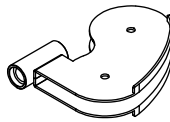
F[1PCS]



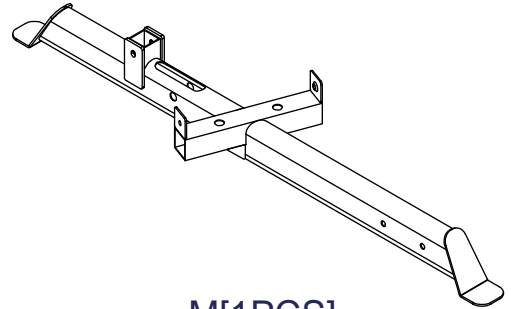
G[2PCS]



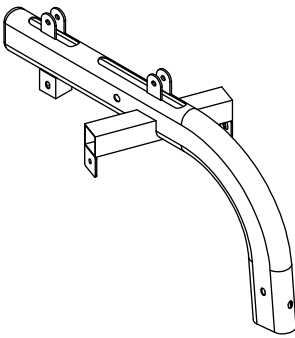
H[2PCS]



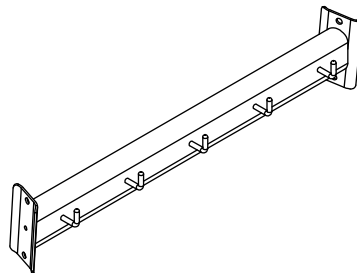
I[1PCS]



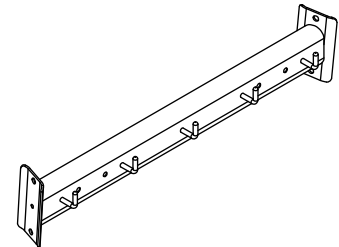
J[1PCS]



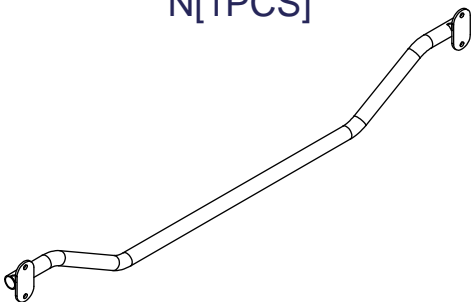
L[1PCS]



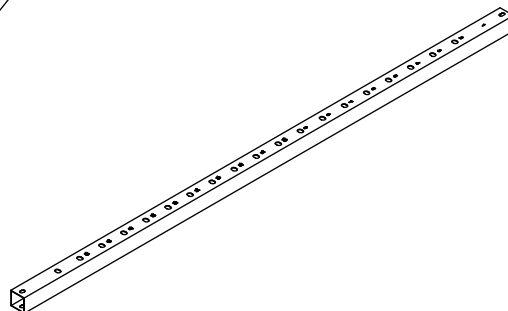
M[1PCS]



N[1PCS]

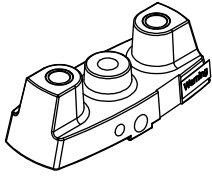


O[2PCS]
(10CLDCC-09)

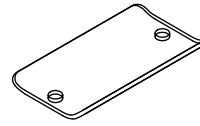


CLDCC HARDWARE
(shown in actual size)

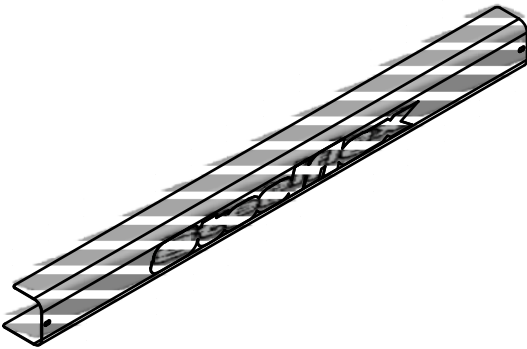
Q[2PCS]
(8400-006)



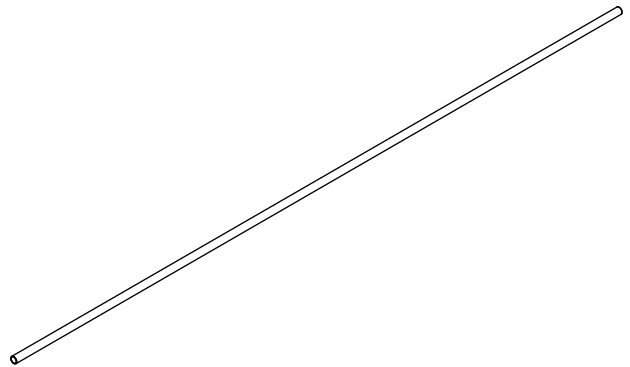
R[4PCS]
(8323-150)



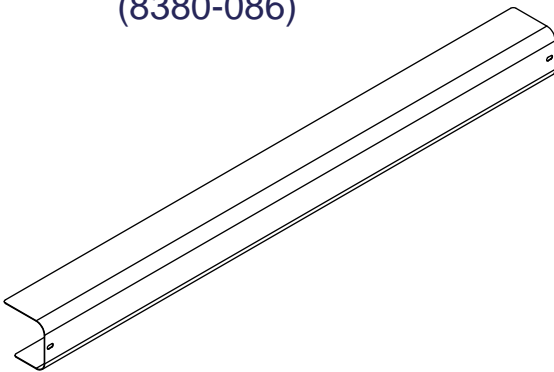
S[2PCS]
(8380086-52)



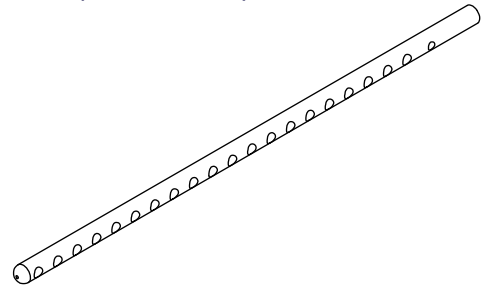
T[4PCS]
(10CLDCC-03)



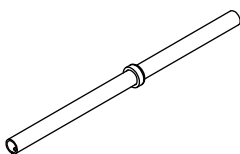
W[2PCS]
(8380-086)



U[2PCS]
(8210-042)



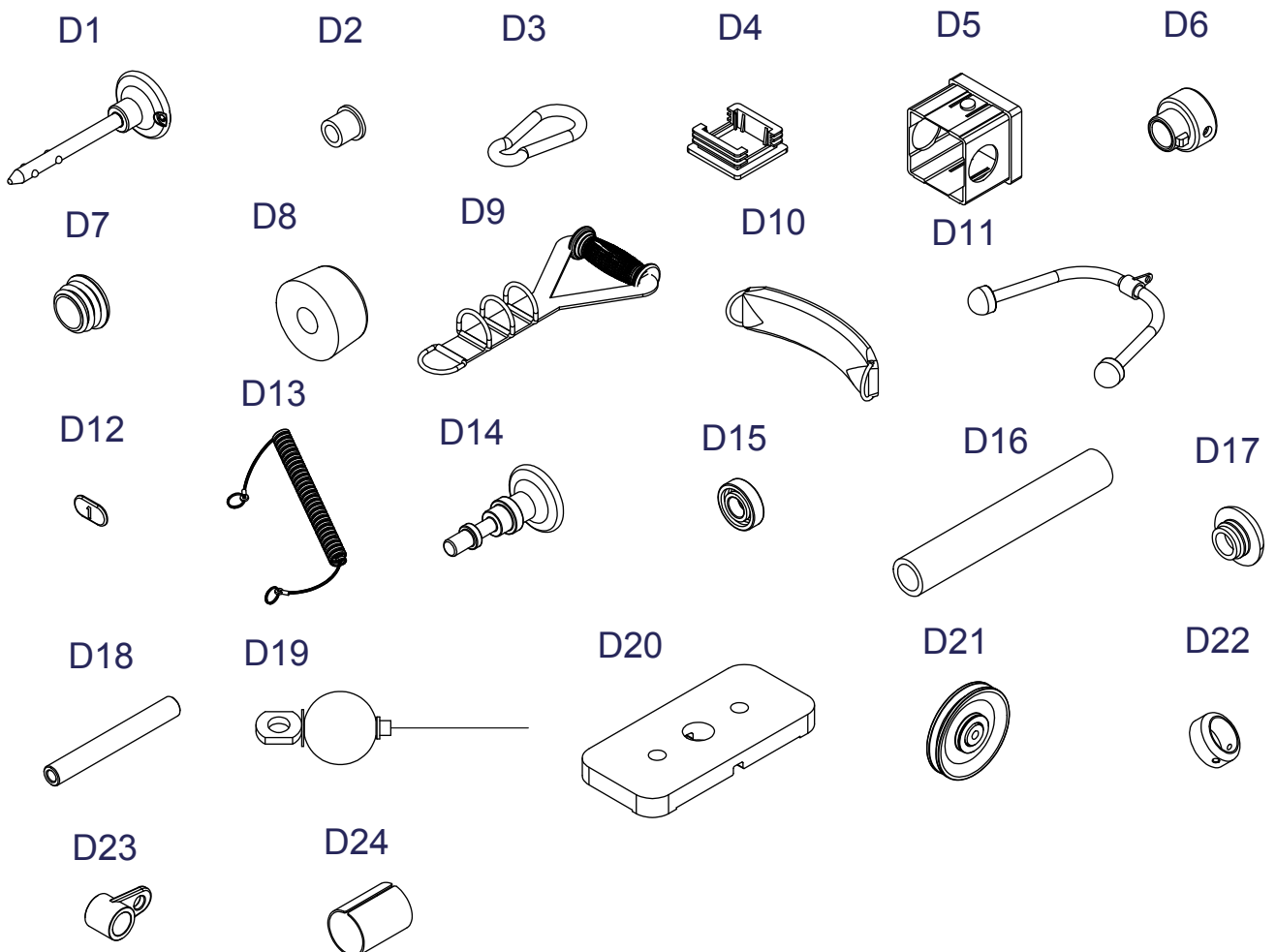
V[1PCS]
(20LB500E)

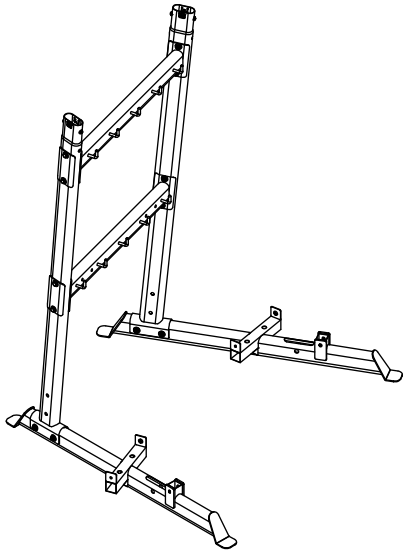


CLDCC HARDWARE

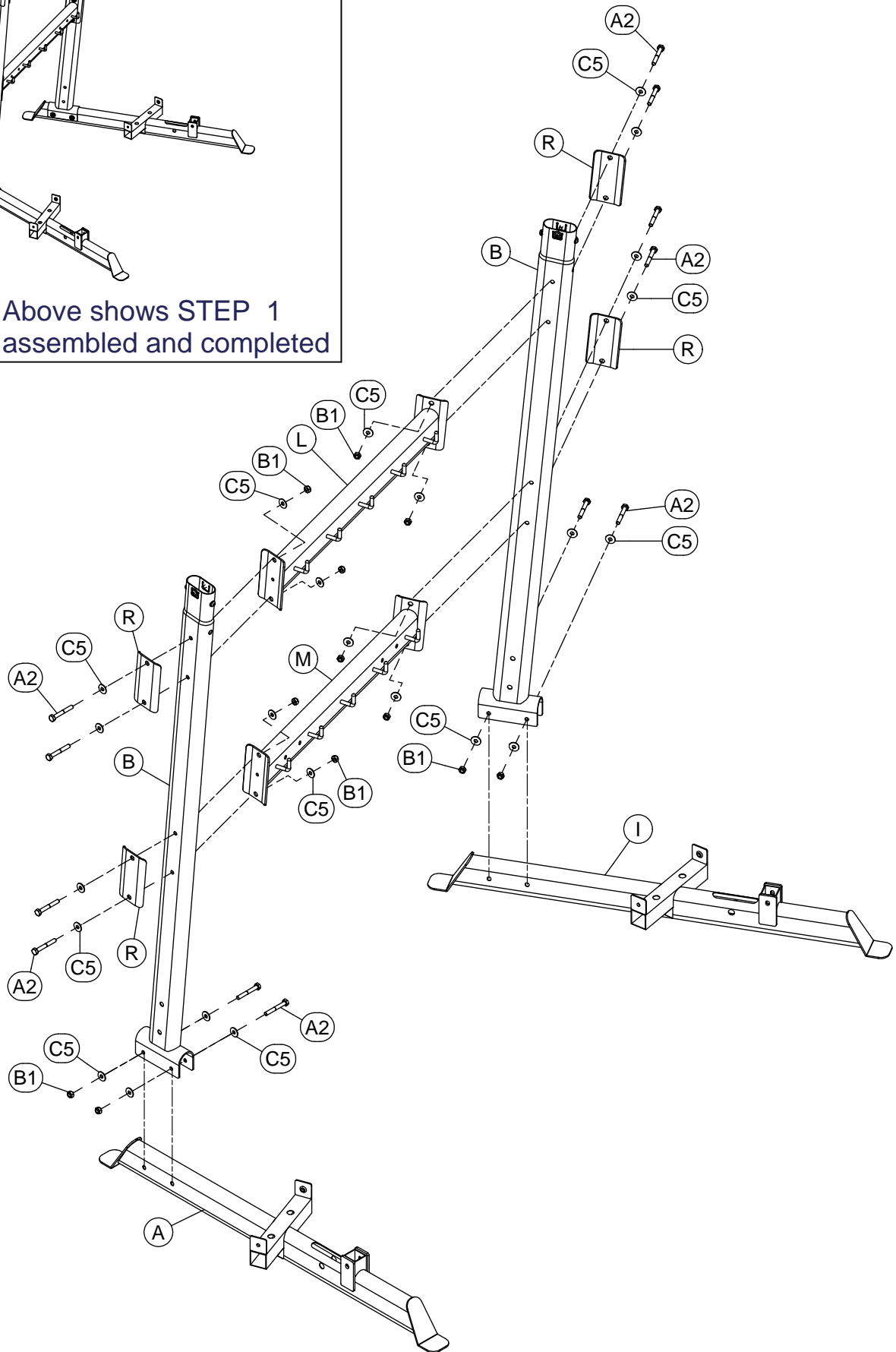
(shown in actual size)

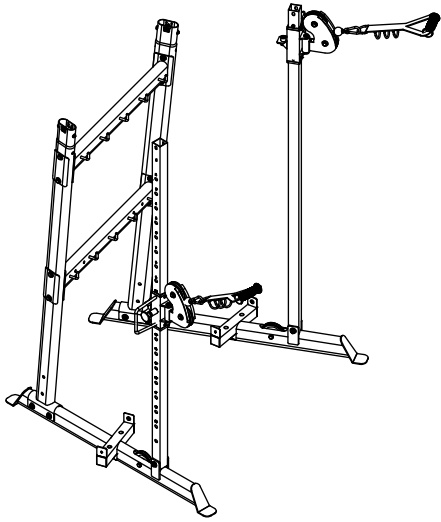
D1.Weight Stack Pin (8250-071G).....	[2PCS]
D2.Φ16 x Φ10 x 16.5L Steel Bushing (8530-009).....	[8PCS]
D3.Φ8 Spring Snap Link (8810-001).....	[2PCS]
D4.The plug(9211-005).....	[8PCS]
D5.M60x50 Nylon Bushing (9211-033).....	[4PCS]
D6.Φ ¾” Shaft Collar (9211-046).....	[4PCS]
D7.End Plug(9211-169).....	[2PCS]
D8.Φ55 Rubber Donut (9310-027).....	[4PCS]
D9.Handle (9630-221).....	[2PCS]
D10.ANKLE STRAP (NAS3).....	[1PCS]
D11.Shoulder Girdle(9630-305).....	[1PCS]
D12.Weight Stack Stickers (9440-047).....	[2PCS]
D13.Weight Stack Pin Lanyard (F920003).....	[2PCS]
D14.Weight Stack Pin (8250-065G)(pre-installed).....	[2PCS]
D15.Bearing(8510-016A)(pre-installed).....	[4PCS]
D16.Lmpregnated With Handle(9162-020)(pre-installed)...	[2PCS]
D17.Half Round Plug(9260-021)(pre-installed).....	[2PCS]
D18.Pole(8210-237)(pre-installed).....	[2PCS]
D19.Steel Cable 7280mm.....	[2PCS]
D20.Weight Stack (SP-10).....	[30/40PCS]
D21.Belt Pulley(9213-002B).....	[14PCS]
D22.Iron Set(8130-465)(pre-installed).....	[1PCS]
D23.Swivel(8130-464)(pre-installed).....	[1PCS]
D24.Spacer(9310-128)(pre-installed).....	[1PCS]



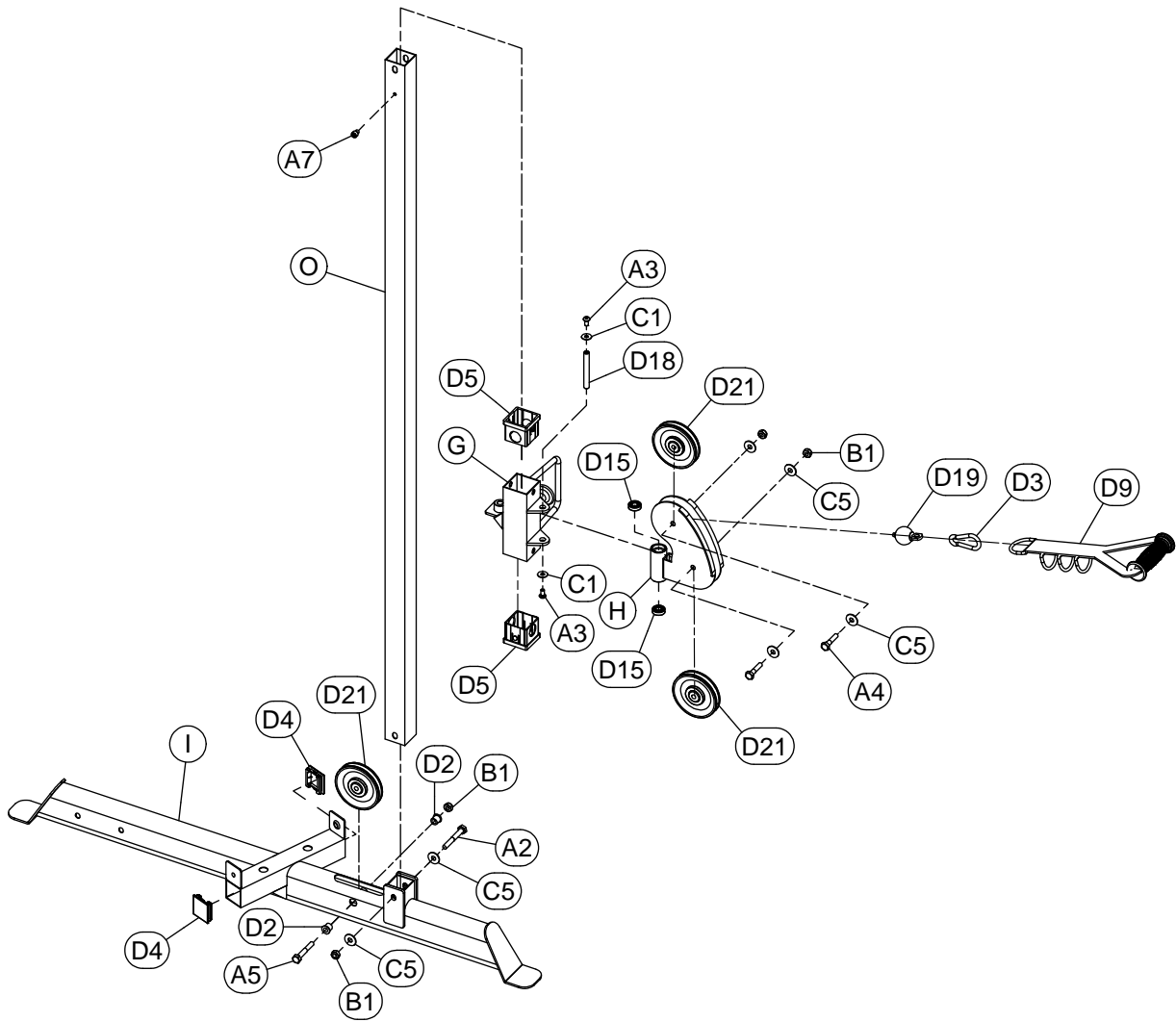
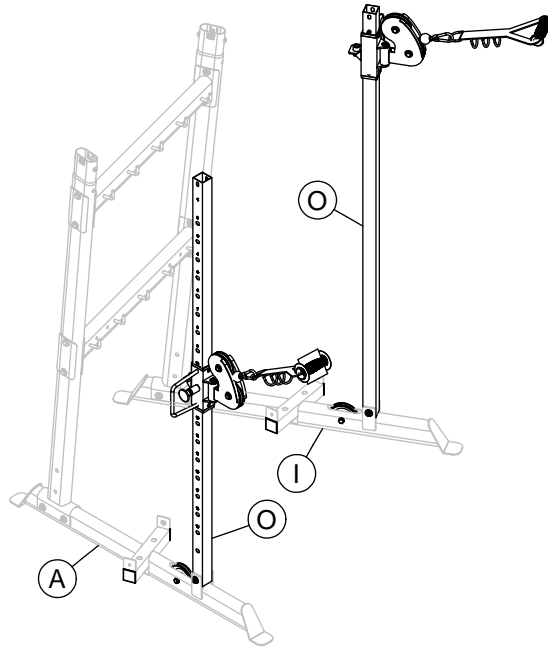


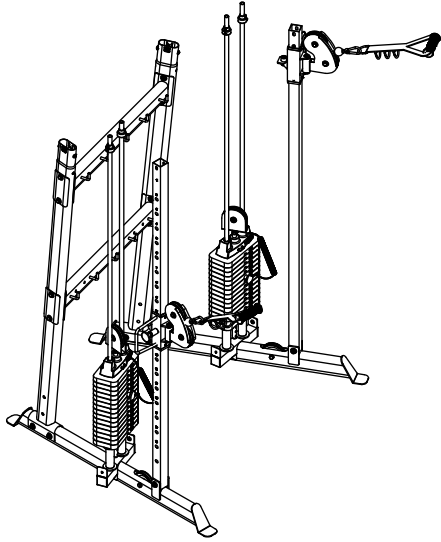
Above shows STEP 1 assembled and completed



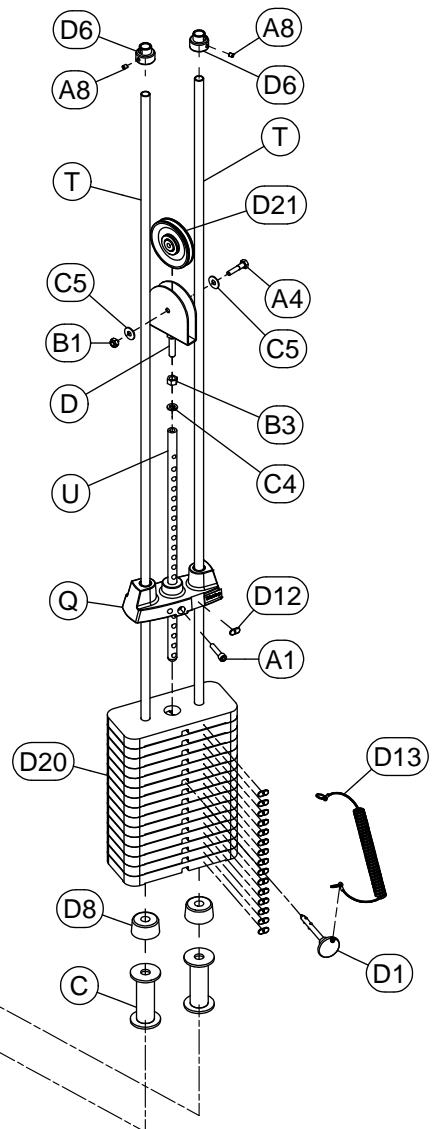
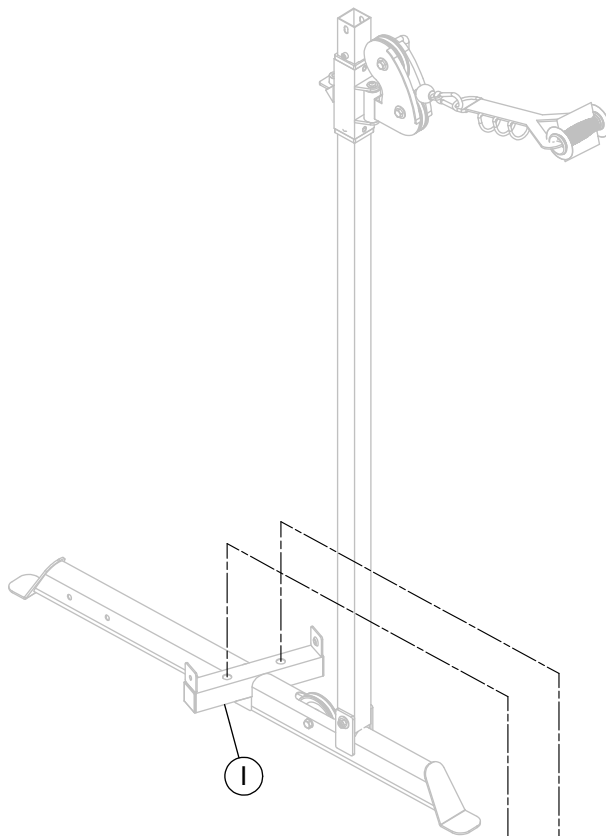
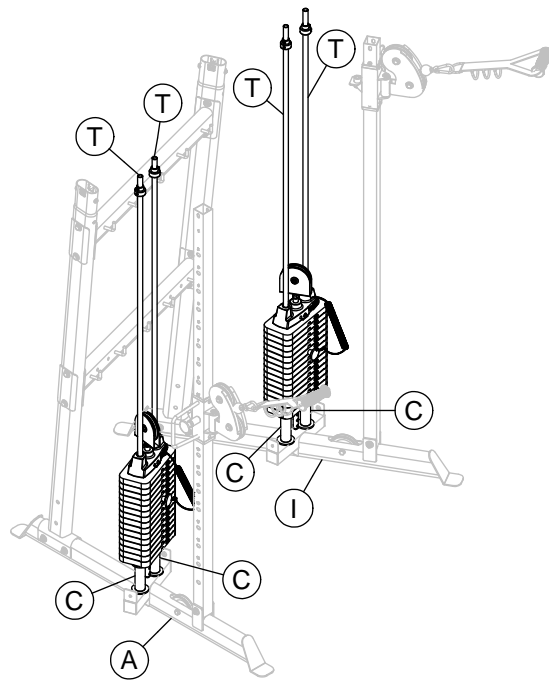


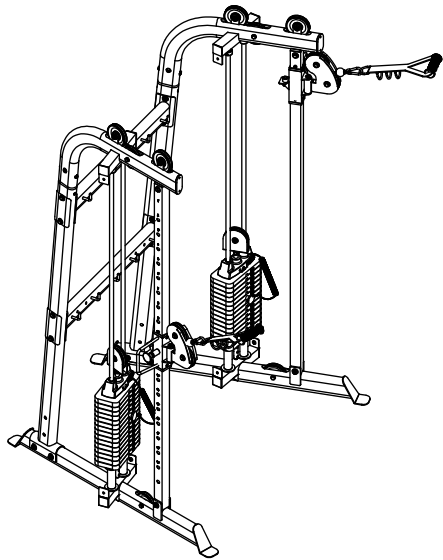
Above shows STEP 2 assembled and completed



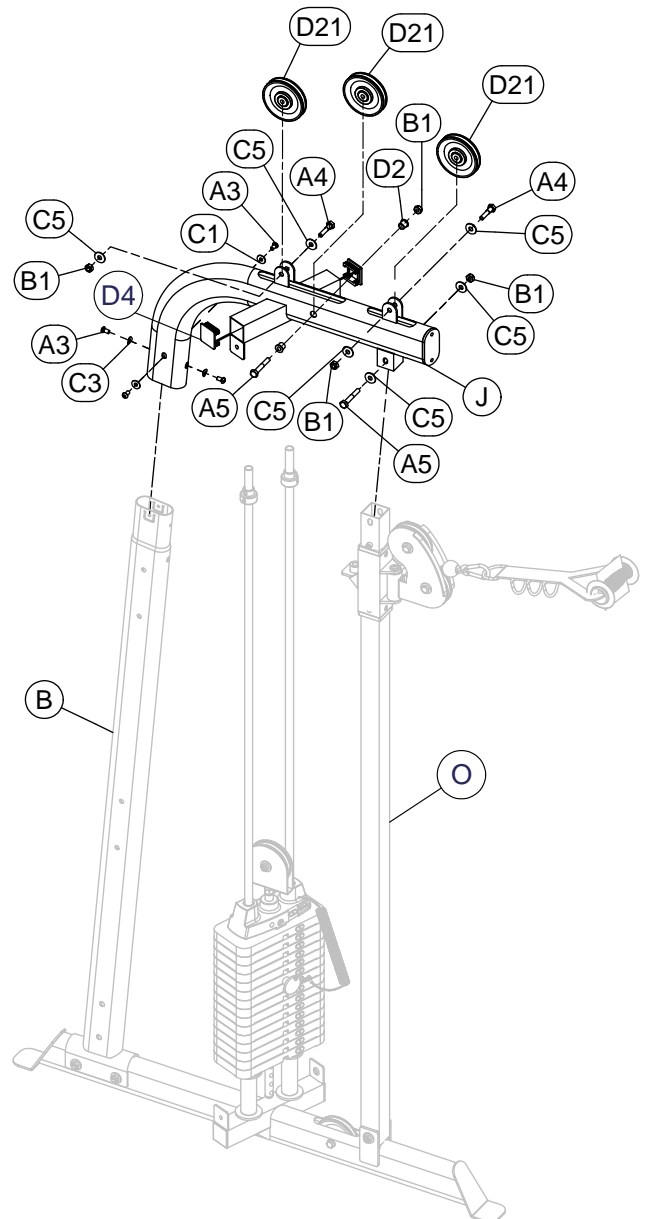
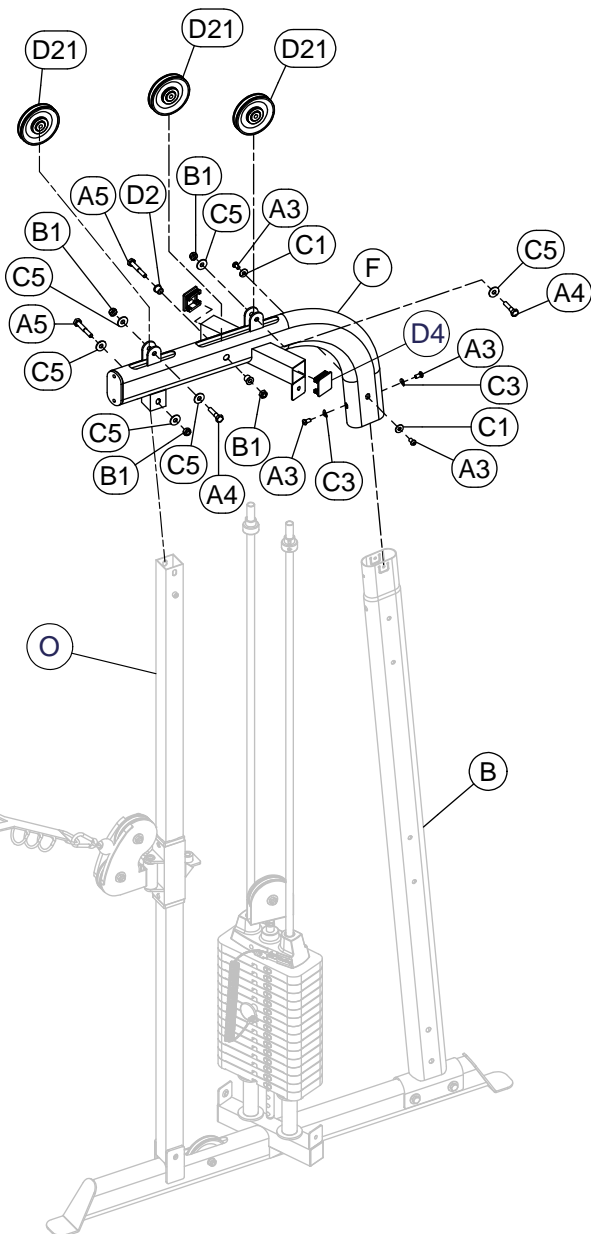
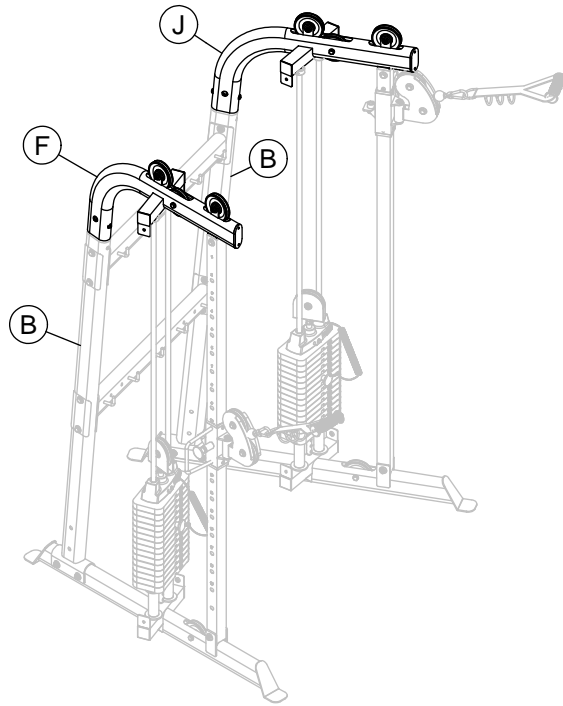


Above shows STEP 3 assembled and completed

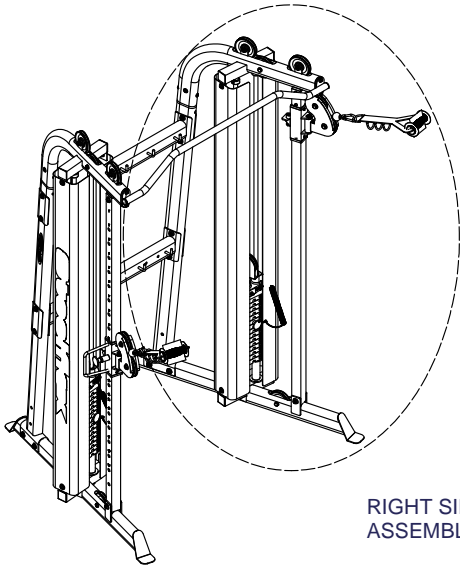




Above shows STEP 4 assembled and completed

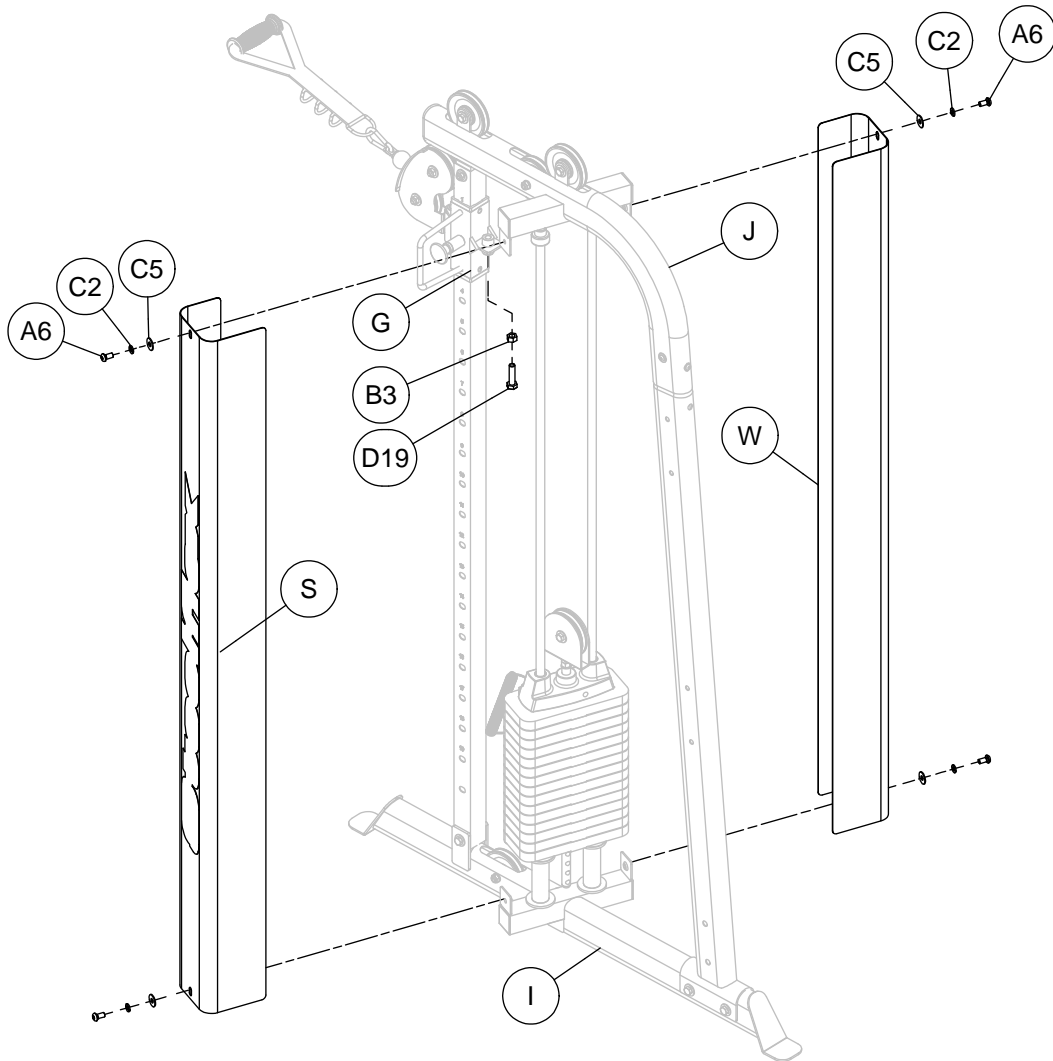
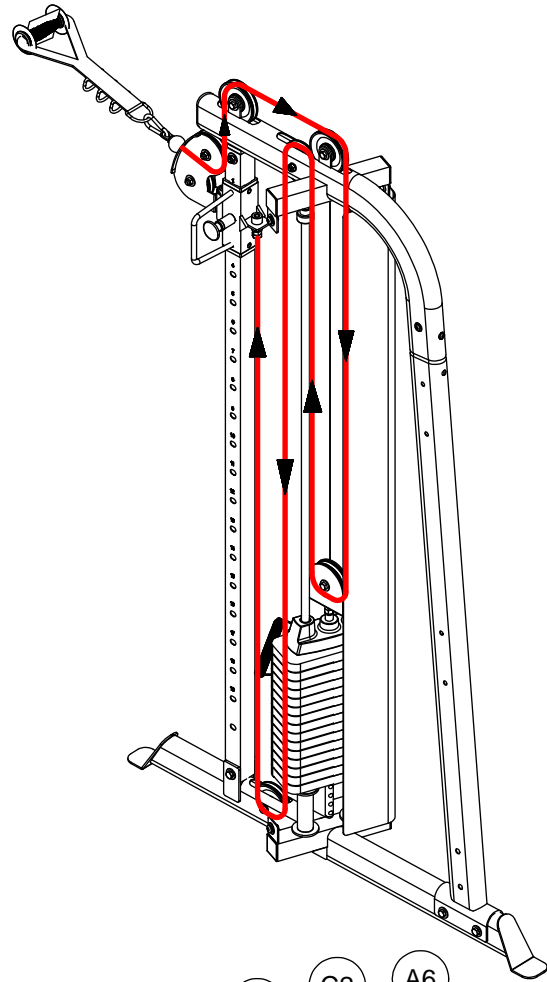


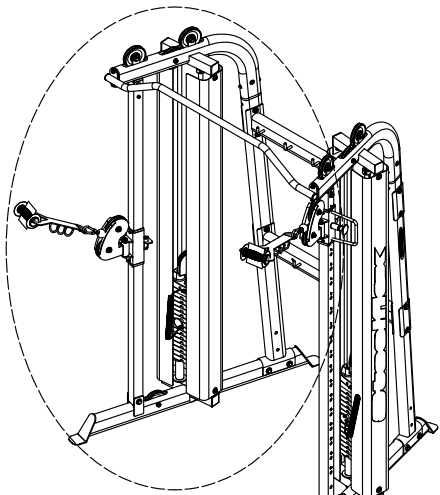
STEP
5



RIGHT SIDE
ASSEMBLY

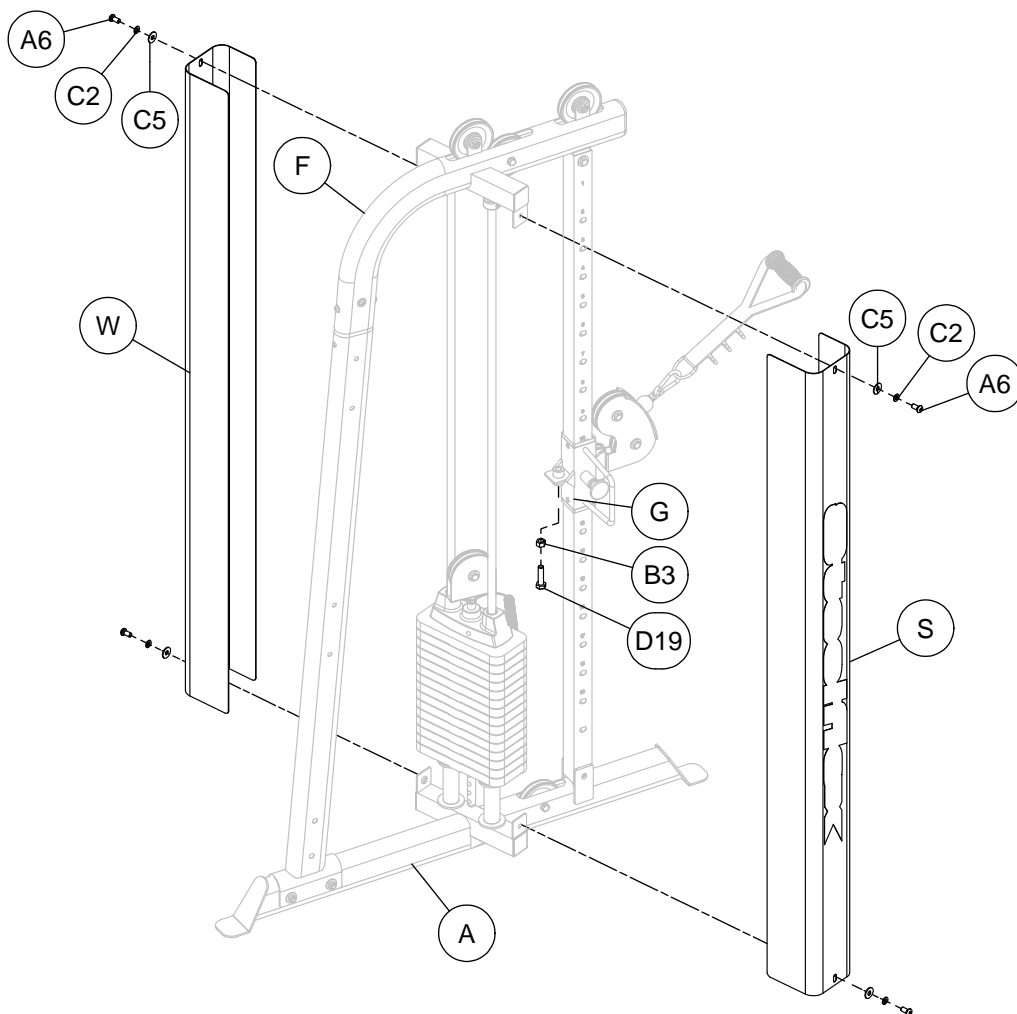
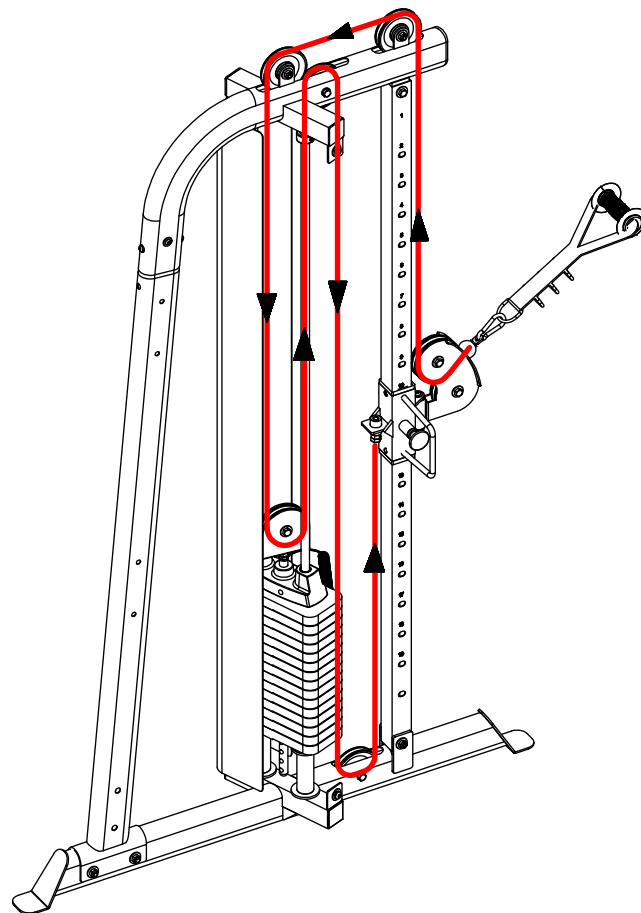
Above shows STEP 5
assembled and completed

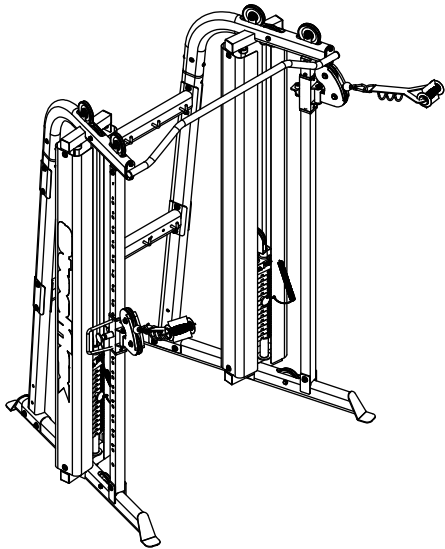




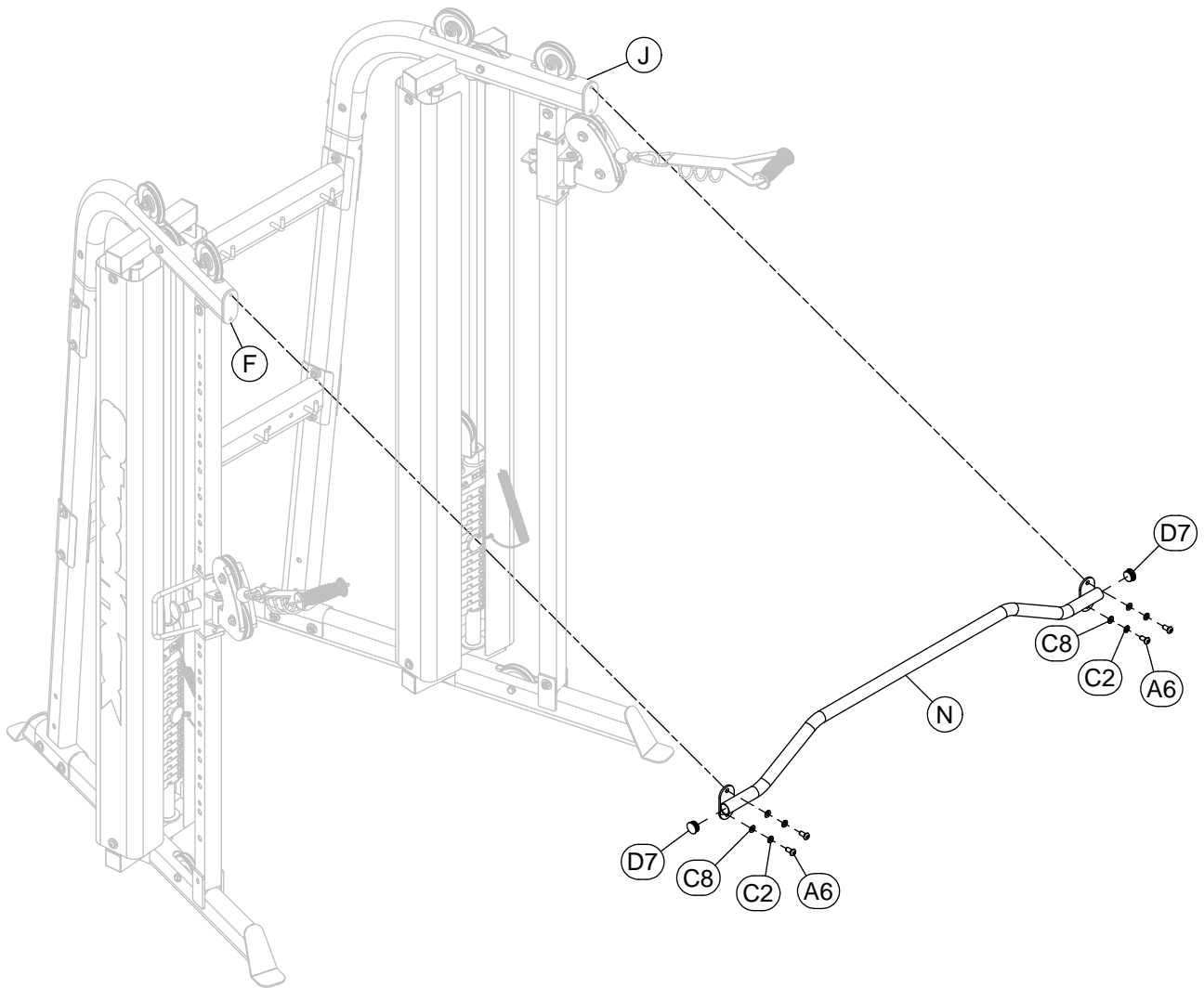
LEFT SIDE
ASSEMBLY

Above shows STEP 6
assembled and completed

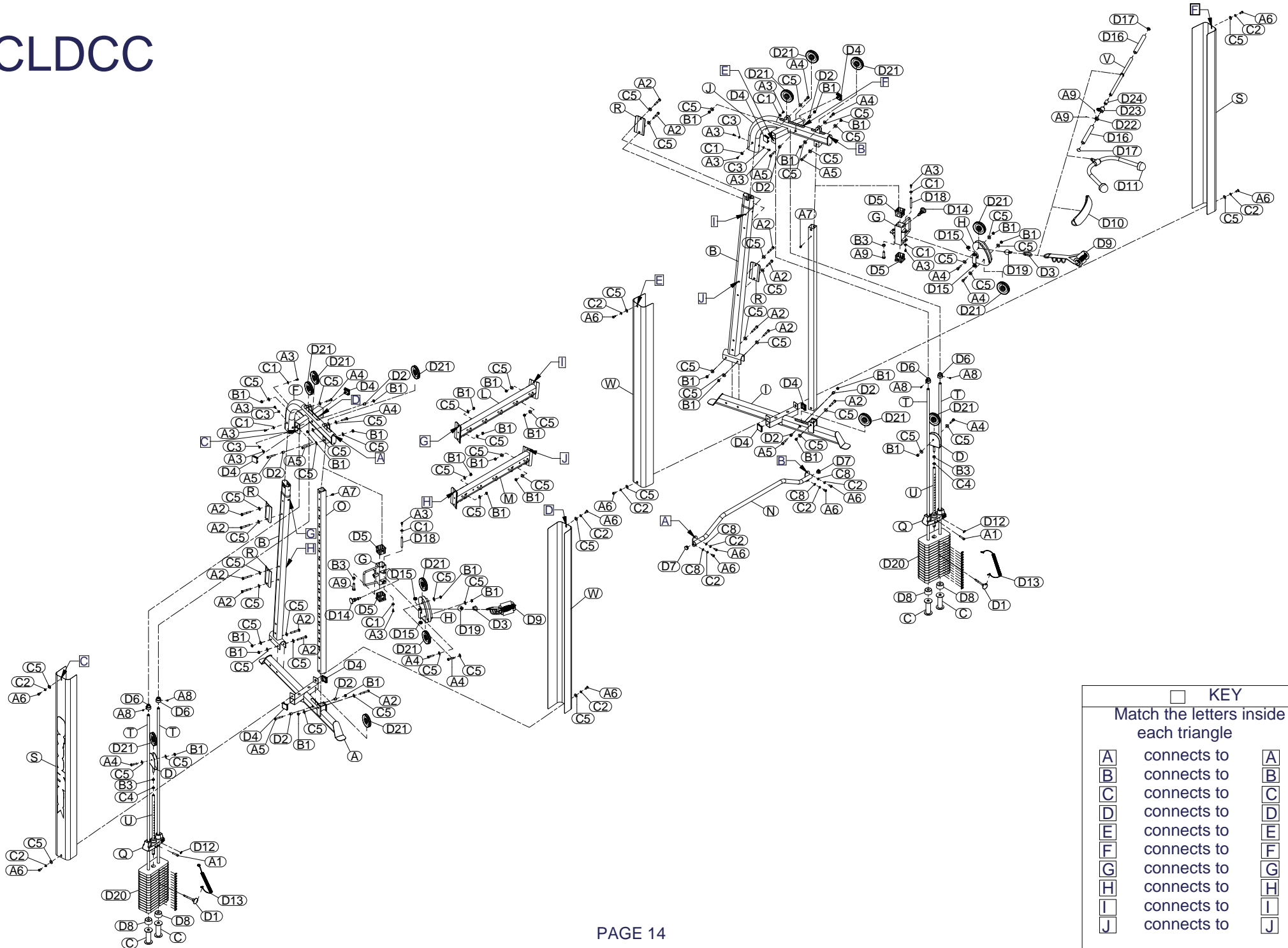




Above shows STEP 7 assembled and completed



CLDCC



KEY		
Match the letters inside each triangle		
A	connects to	A
B	connects to	B
C	connects to	C
D	connects to	D
E	connects to	E
F	connects to	F
G	connects to	G
H	connects to	H
I	connects to	I
J	connects to	J