

## ASSEMBLY INSTRUCTIONS

4421L Dual Adjustable Pulley

Read all precautions and instructions in this manual before using this equipment

Assembly Caution	-----	3
Part List	-----	4
Hardware List	-----	4
Step 1	-----	5
Step 2	-----	6
Step 3	-----	7
Step 4	-----	8
Step 5	-----	9
Step 6	-----	10
Step 7	-----	11
Step 8	-----	12

# ASSEMBLY CAUTION

Please carefully read the following information before installation

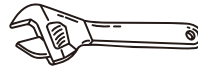
**Assembling requires at least two people**  
**Do not tighten all screws before assembly is complete**  
**Ensure that all accessories are complete.**

## ***Shortcut: A Lot of People Doing That Way***

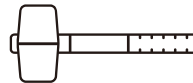
To enhance your installation process for both speed and convenience, consider removing all accessories from the box, carefully opening the packaging, and arranging everything neatly on the floor. This preparation can streamline your setup experience.

## ***The following tools might help you improve your installation experience***

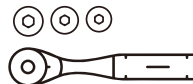
- Adjustable wrenches



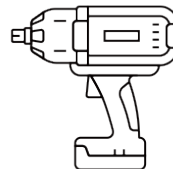
- Rubber hammers



- Socket set



- Electric Wrench



## **WARNING**



Choking hazard. Small parts-Please exercise caution if small children or pets are present.


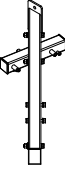


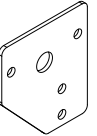
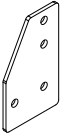

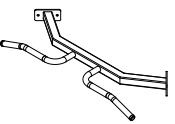
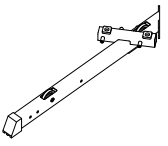
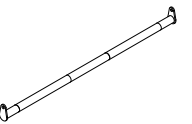
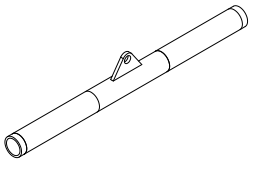
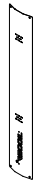
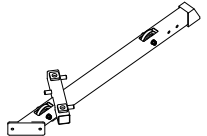
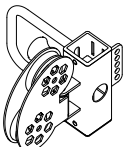
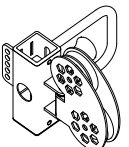
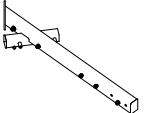
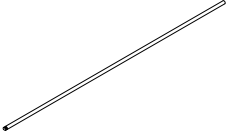
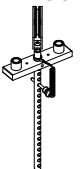

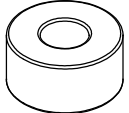
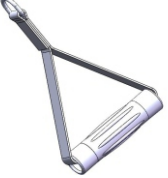
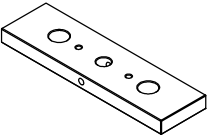
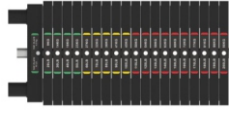
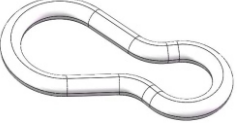
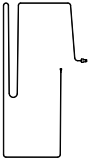


Sharp objects may be involved. Use precaution and protection.

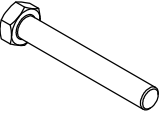
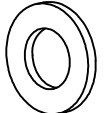
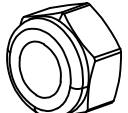

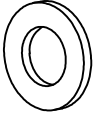
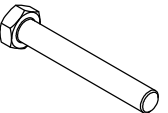
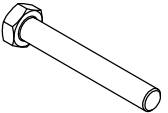
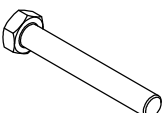




Heavy object. Use lifting aids and proper lifting techniques when moving

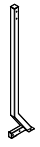
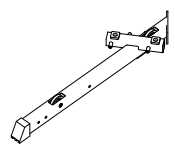
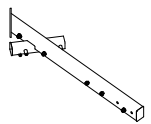
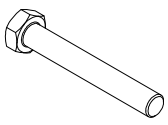

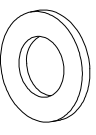
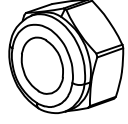
# PARTS LIST

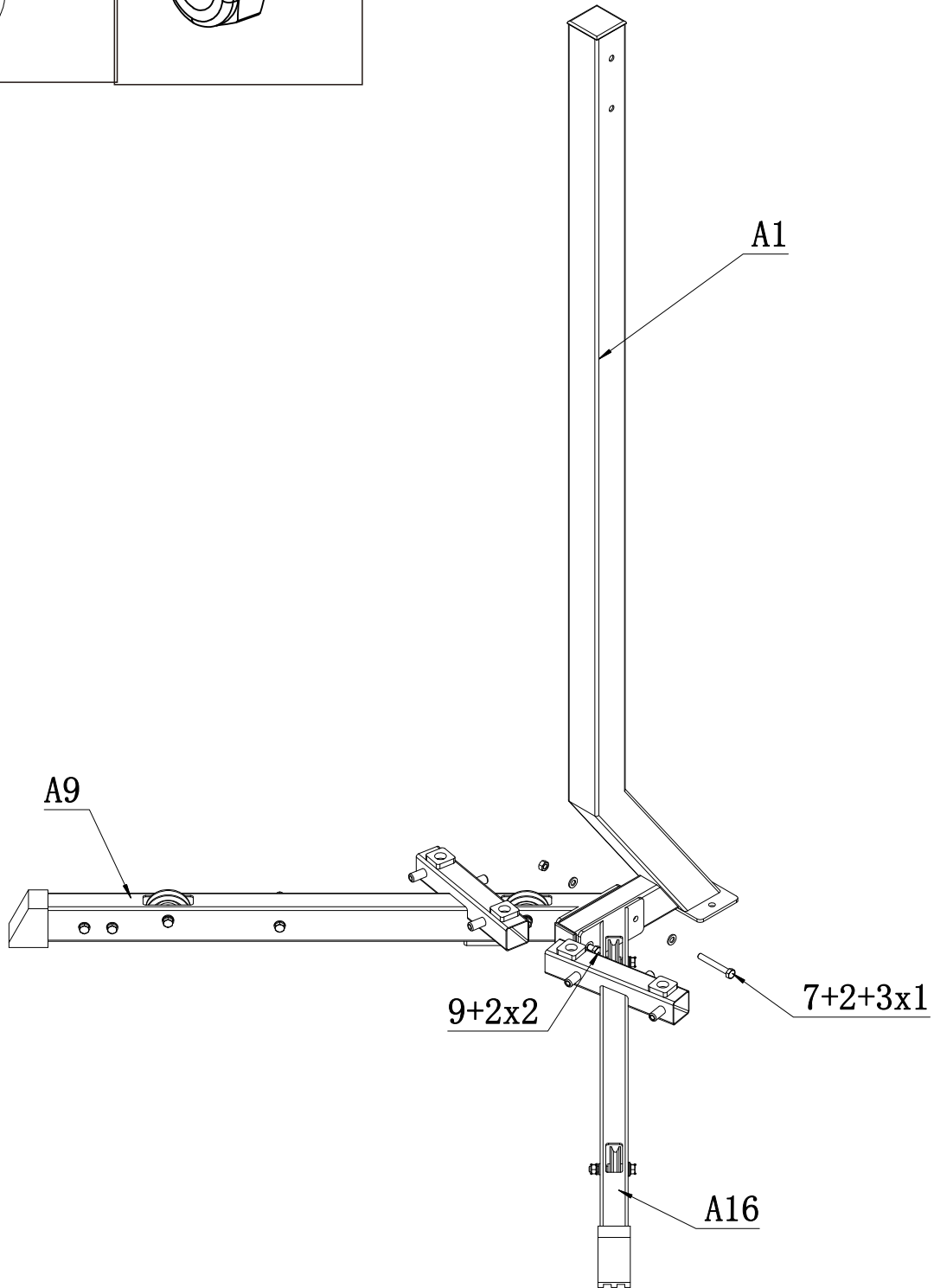
<b>A1</b> Rear support station pole 1 PCS 	<b>A2</b> Left support pipe 1 PCS 	<b>A3</b> Left outer shield 1 PCS 	<b>A4</b> Storage rack 1 PCS 	<b>A5</b> Upper connecting plate 4 PCS 
<b>A6</b> Lower connecting plate 4 PCS 	<b>A7</b> Stainless steel support pipe 2 PCS 	<b>A8</b> Pull-ups 1 PCS 	<b>A9</b> Left bottom tube 1 PCS 	<b>A10</b> High pull handle 1 PCS 
<b>A11</b> Low pull handle 2 PCS 	<b>A12</b> Front shield 2 PCS 	<b>A13</b> Right bottom tube 2 PCS 	<b>A14</b> Left sliding frame 1 PCS 	<b>A15</b> Right sliding frame 1 PCS 
<b>A16</b> Right support pipe 1 PCS 	<b>A17</b> Supporting round steel 4 PCS 	<b>A18</b> Movable pulley frame 2 PCS 	<b>A19</b> Right outer shield 1 PCS 	<b>B1</b> Rubber pad 4 PCS 
<b>B2</b> Pull the handle 2 PCS 	<b>B3</b> Counterweight plate 38 PCS 	<b>B4</b> Specification book sticker 2 PCS 	<b>B5</b> Safety hook 4 PCS 	<b>B6</b> Steel wire rope 2 PCS 

# HARDWARE LIST

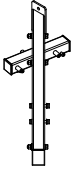
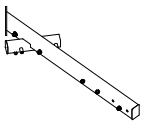
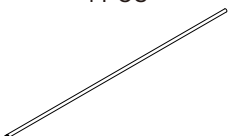
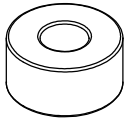
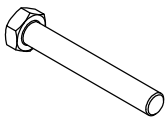
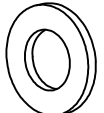
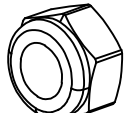
<b>1</b> Bolt M10*100 2 PCS 	<b>2</b> Washer $\phi$ 12 52 PCS 	<b>3</b> Nut M12 25 PCS 	<b>4</b> Bolt M8*16 12 PCS 	<b>5</b> Washer $\phi$ 8 12 PCS 
<b>6</b> Bolt M10*95 2 PCS 	<b>7</b> Bolt M10*75 17 PCS 	<b>8</b> Bolt M10*70 4 PCS 	<b>9</b> Bolt M10*16 2 PCS 	<b>10</b> Nylon pad 4 PCS 

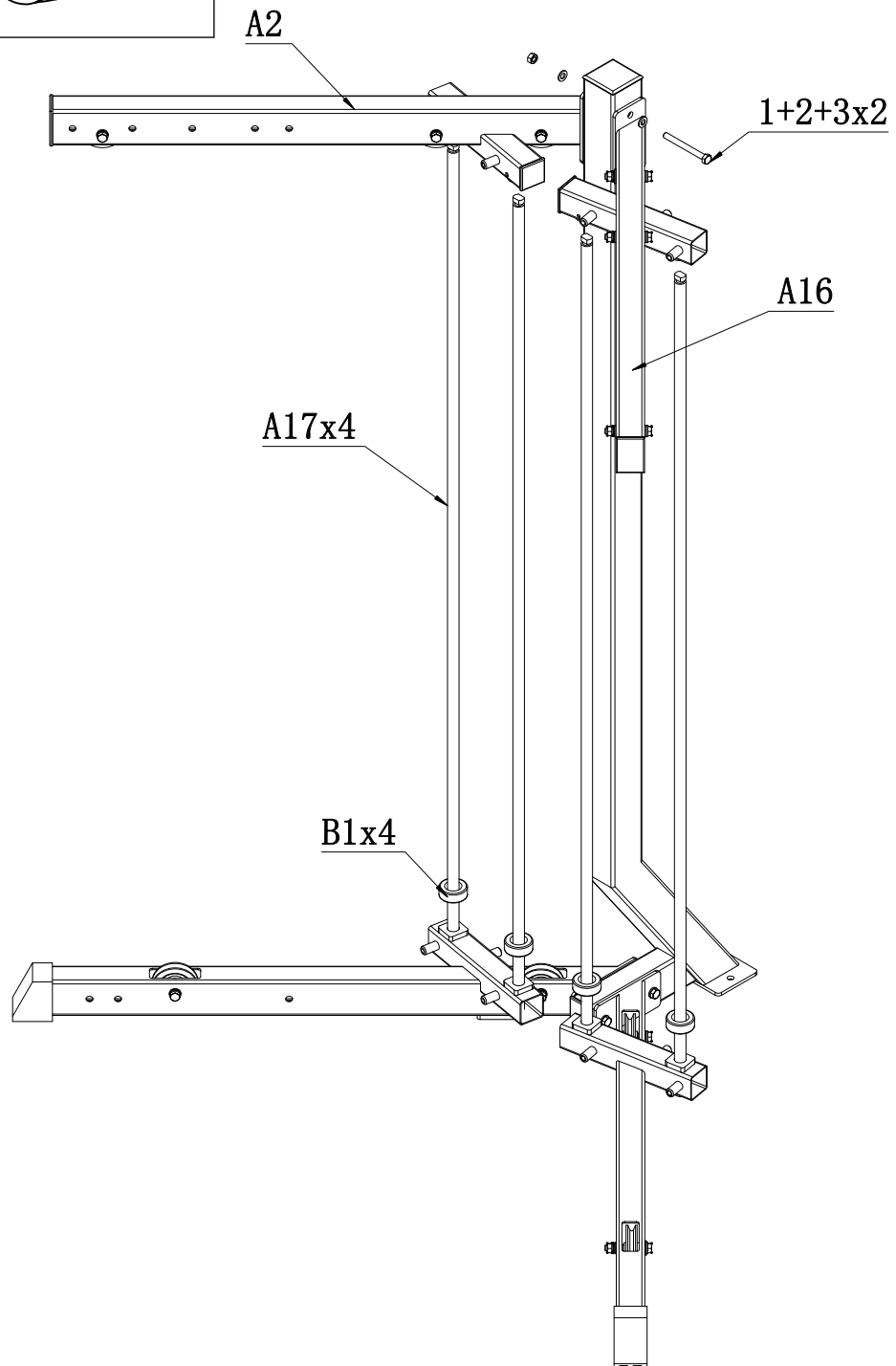
# STEP 1:

<b>A1</b> Rear support station pole 1 PCS 	<b>A9</b> Left bottom tube 1 PCS 	<b>A16</b> Right support pipe 1 PCS 	<b>7</b> Bolt M10*75 1 PCS 	<b>9</b> Bolt M10*16 2 PCS 
<b>2</b> Washer $\phi 10$ 4 PCS 	<b>3</b> Nut M10 1 PCS 			

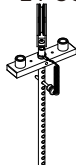
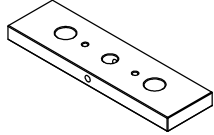


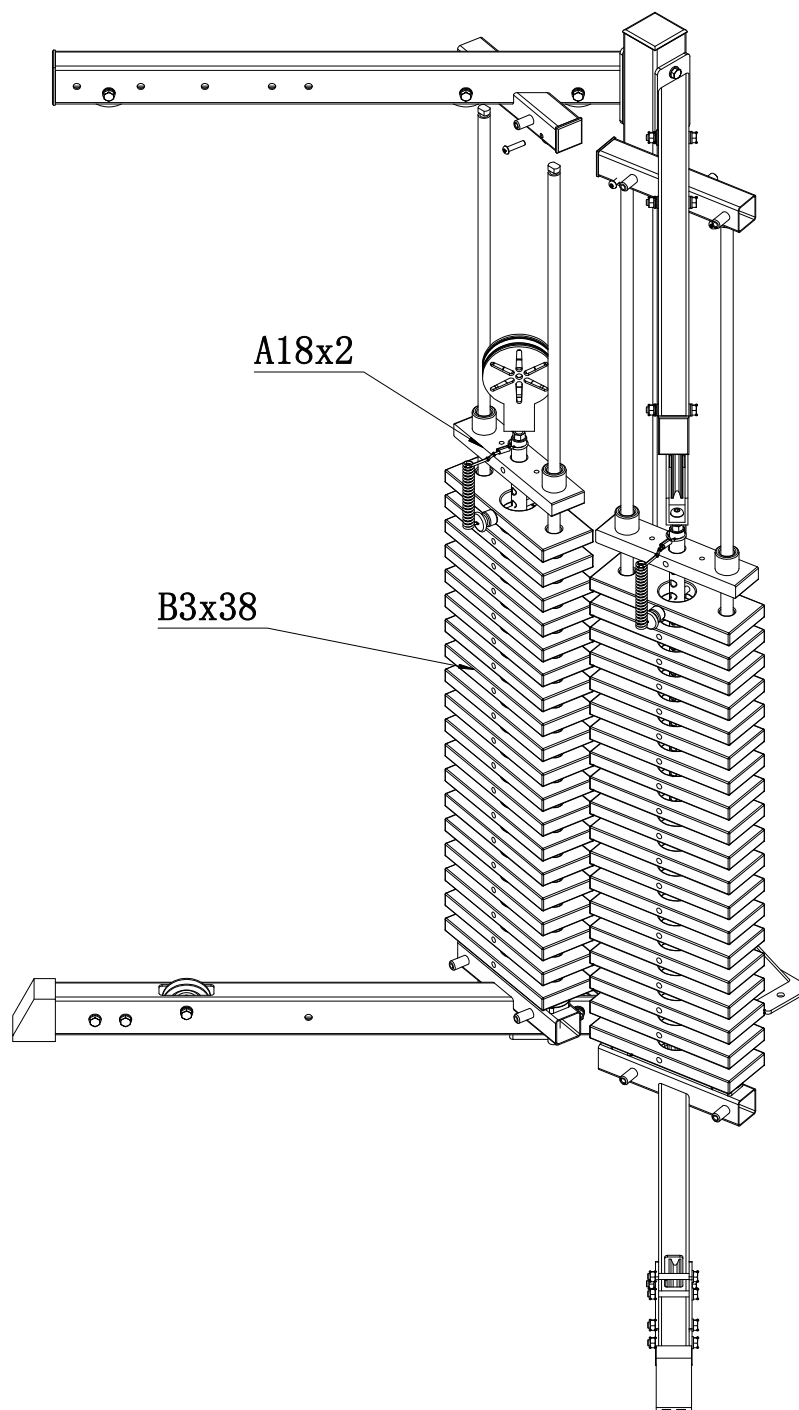
# STEP 2:

<b>A2</b> Left support pipe 1 PCS 	<b>A16</b> Right support pipe 1 PCS 	<b>A17</b> Supporting round steel 4 PCS 	<b>B1</b> Rubber pad 4 PCS 	<b>1</b> Bolt M10*100 2 PCS 
<b>2</b> Washer $\phi 10$ 4 PCS 	<b>3</b> Nut M12 2 PCS 			

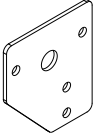
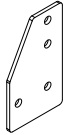
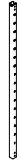
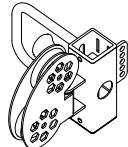
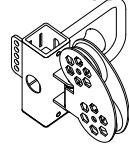
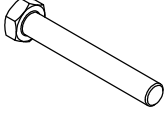
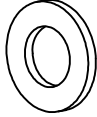
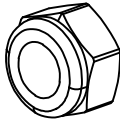


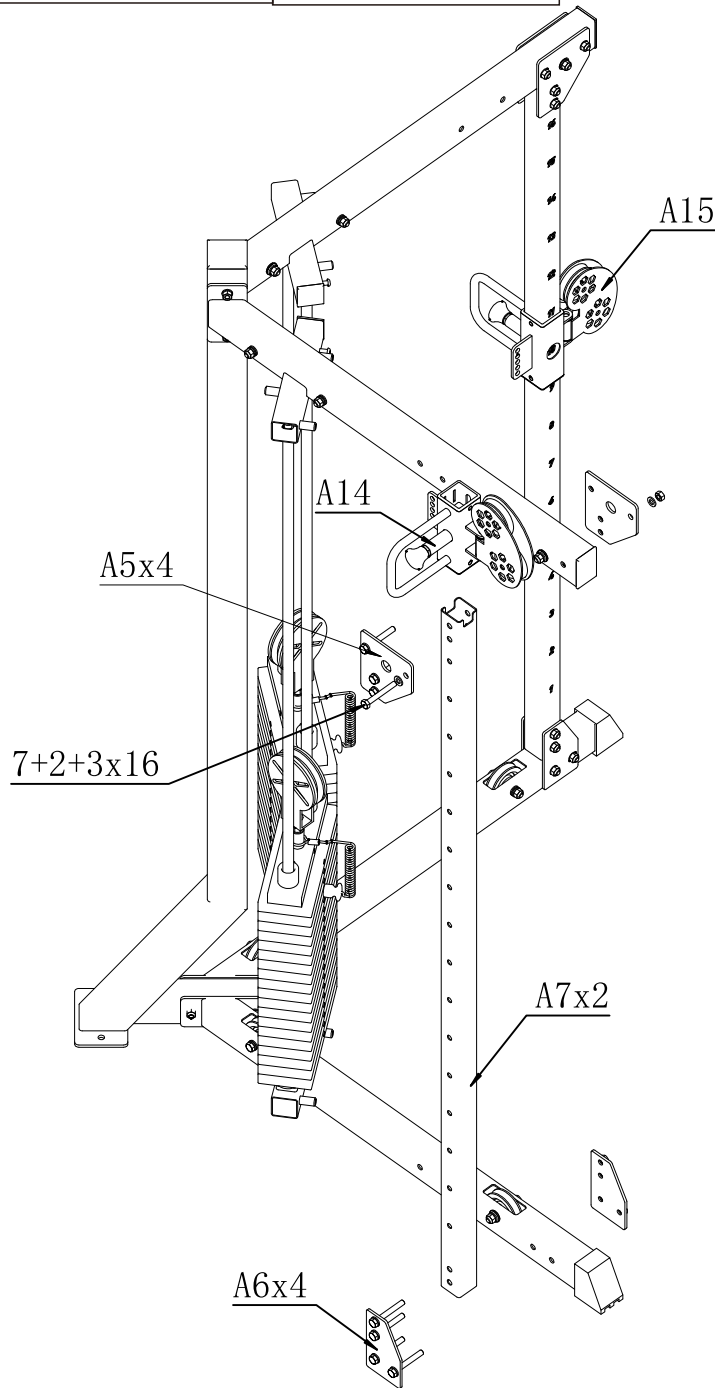
# STEP 3:

<b>A18</b> Movable pulley frame 2 PCS 	<b>B3</b> Counterweight plate 38 PCS 
---	--



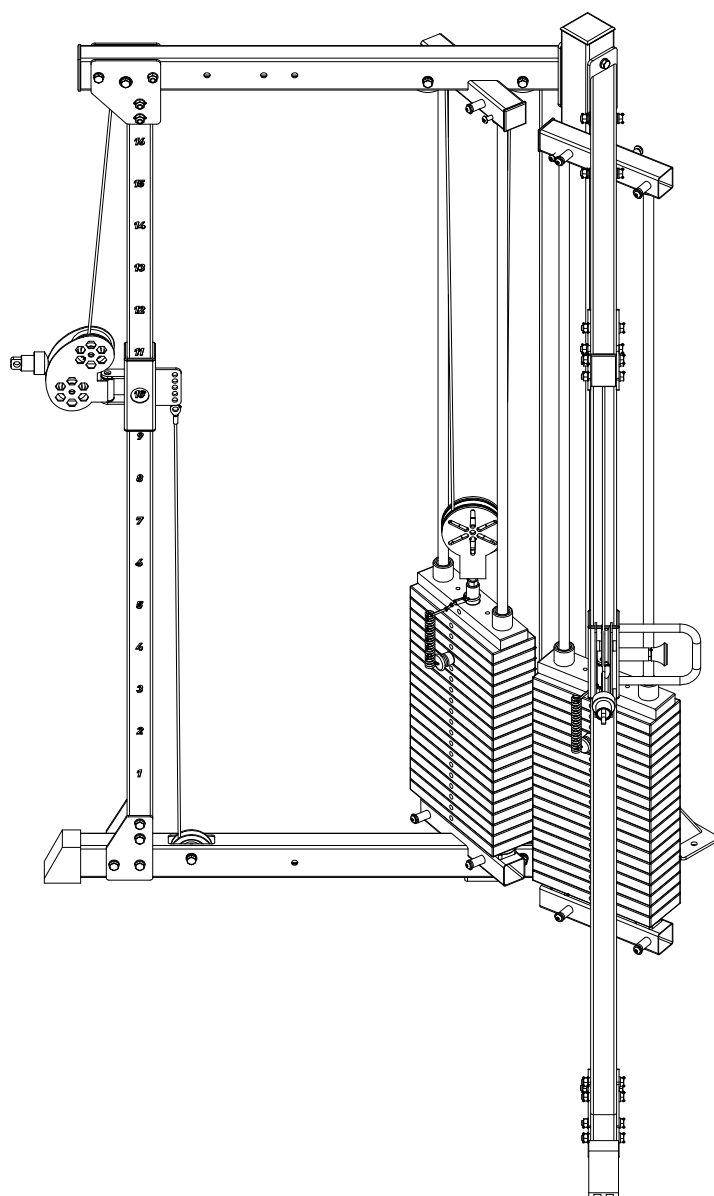
# STEP 4:

<b>A5</b> Upper connecting plate 4 PCS 	<b>A6</b> Lower connecting plate 4 PCS 	<b>A7</b> Stainless steel support pipe 2 PCS 	<b>A14</b> Left sliding frame 1 PCS 	<b>A15</b> Right sliding frame 1 PCS 
<b>7</b> Bolt M10*75 16 PCS 	<b>2</b> Washer $\phi 10$ 32 PCS 	<b>3</b> Nut M10 16 PCS 		

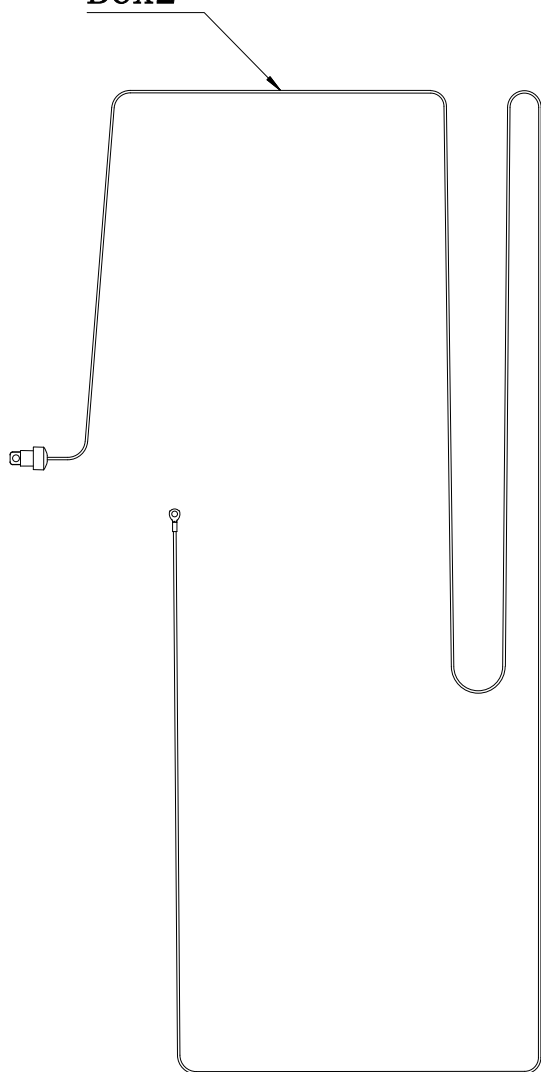


# STEP 5:

**B6** Steel wire rope  
2 PCS

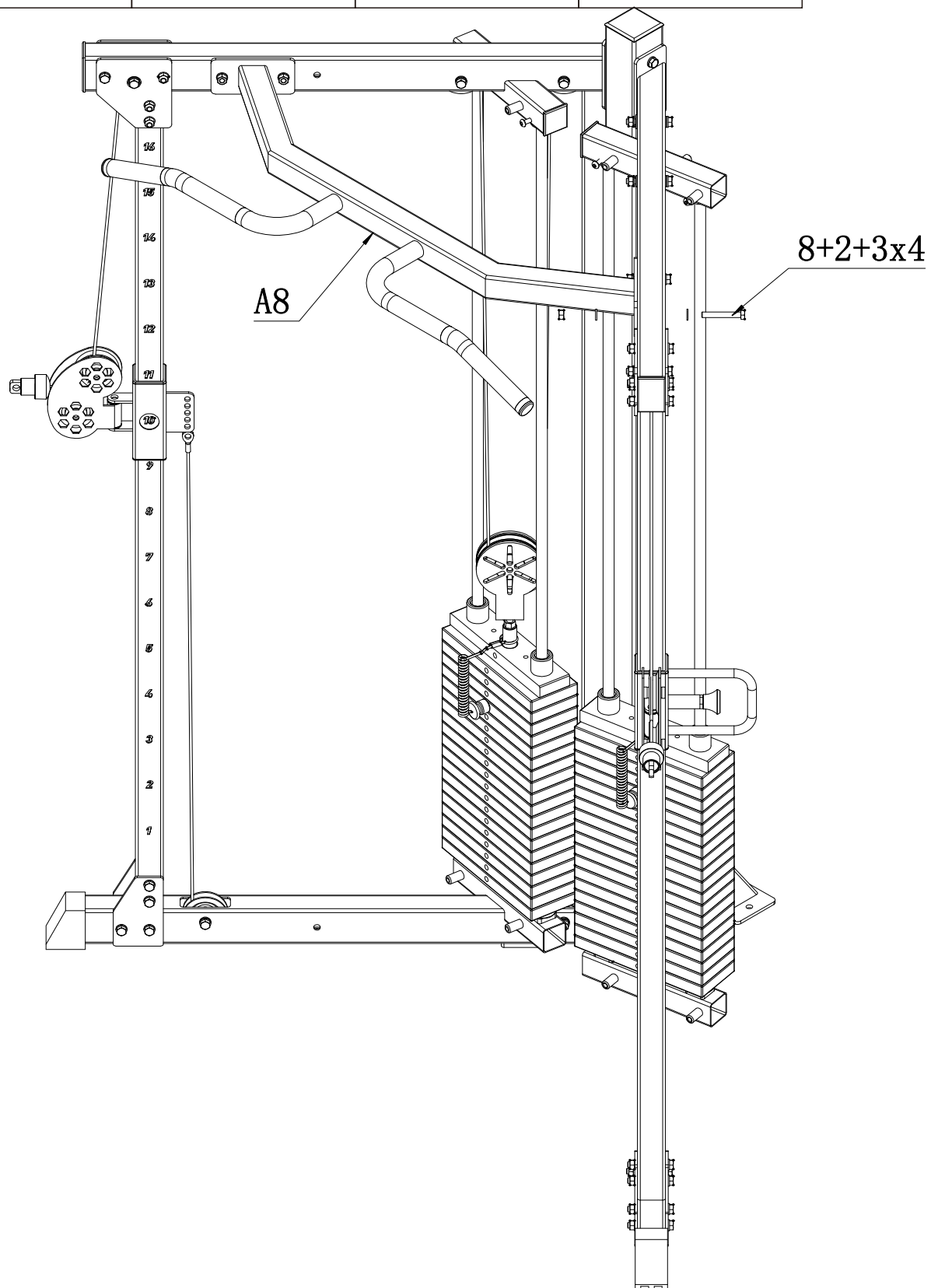


**B6x2**


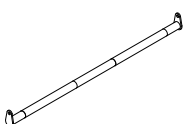
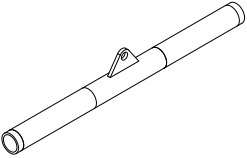
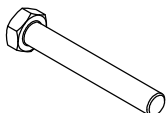
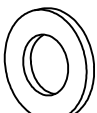
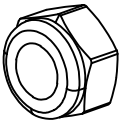


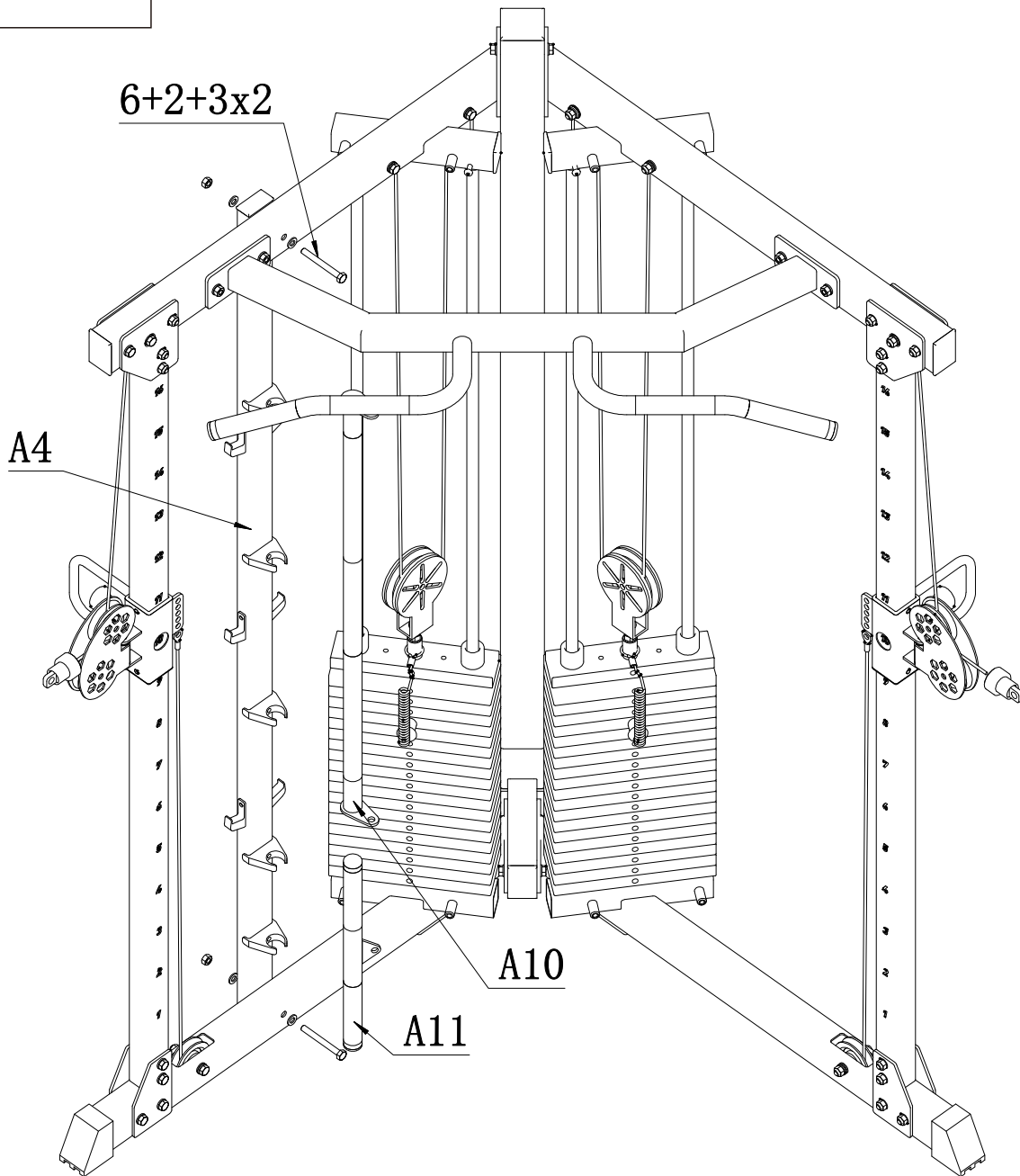
# STEP 6:

<b>A8</b> Pull-ups 1 PCS	<b>8</b> Bolt M10*70 4 PCS	<b>2</b> Washer $\phi 12$ 8 PCS	<b>3</b> Nut M12 4 PCS
-----------------------------	-------------------------------	------------------------------------	---------------------------




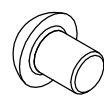
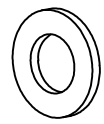


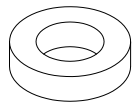
# STEP 7:

<b>A4</b> Storage rack 1 PCS 	<b>A10</b> High pull handle 1 PCS 	<b>A11</b> Low pull handle 2 PCS 	<b>6</b> Bolt M10*95 2 PCS 	<b>2</b> Washer φ10 4 PCS 
<b>3</b> Nut M12 2 PCS 				



# STEP 8:

<b>A3</b> Left outer shield 1 PCS 	<b>A12</b> Front shield 2 PCS 	<b>A19</b> Right outer shield 1 PCS 	<b>4</b> Bolt M8*16 16 PCS 	<b>5</b> Washer φ8 16 PCS 
---	---	---	--	---

<b>10</b> Nylon pad 4 PCS 
---

