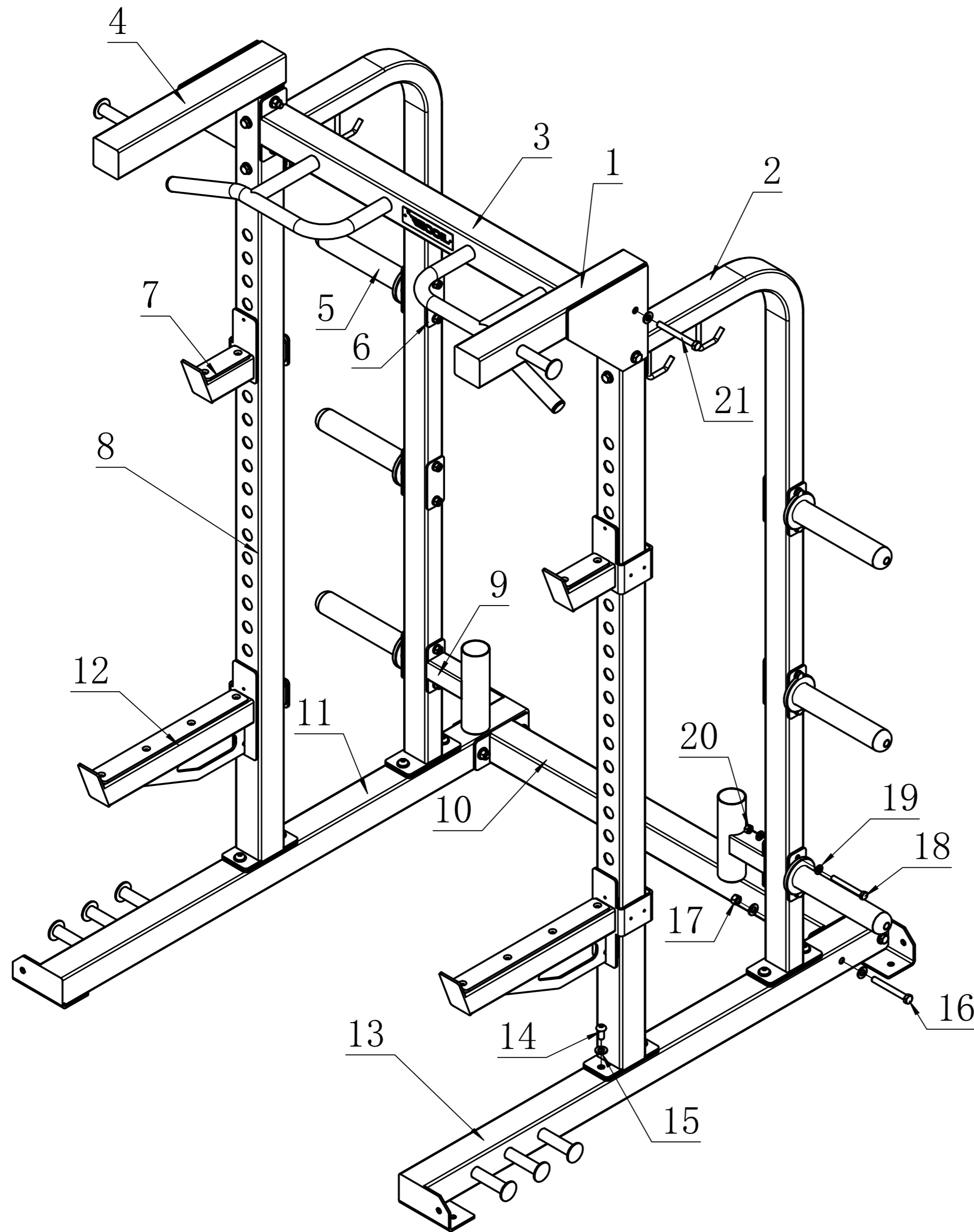




Half Rack LM

REC1 F0034



The instructions		
No.	Description	Q' ty
1	Left top crossbeam	1
2	Rear station pole	2
3	Pull-ups	1
4	Right top crossbeam	1
5	Barbell plate hanging bar	6
6	Connecting plate	4
7	Safety hook	2
8	Front station pole	2
9	Barbell bar storage rack	2
10	Base connection pipe	1
11	Left base	1
12	Sports arms	2
13	Right side base	1
14	Bolt M12*25	8
15	washer ϕ 12	32
16	Bolt M12*100	8
17	Nut M12	12
18	Bolt M10*95	12
19	washer ϕ 10	24
20	Nut M10	12
21	Bolt M12*105	4