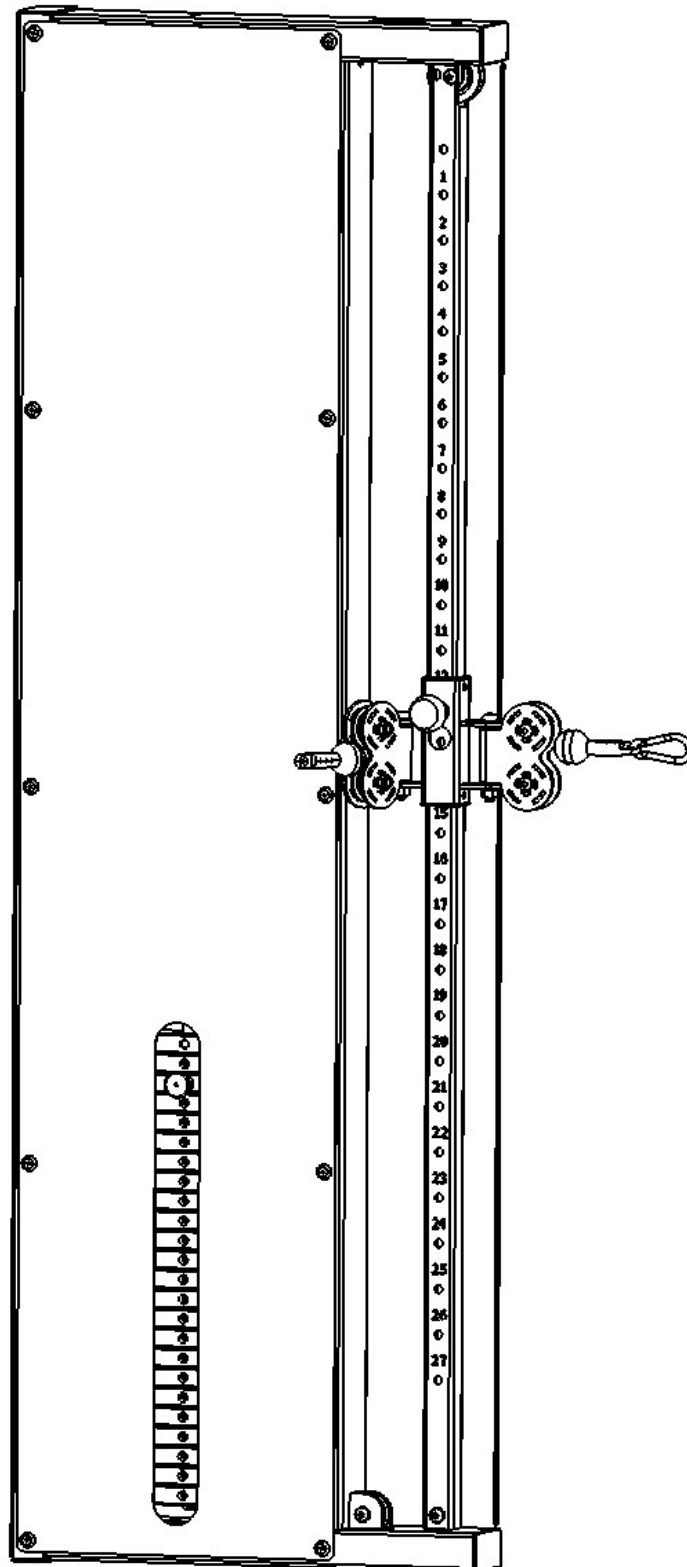
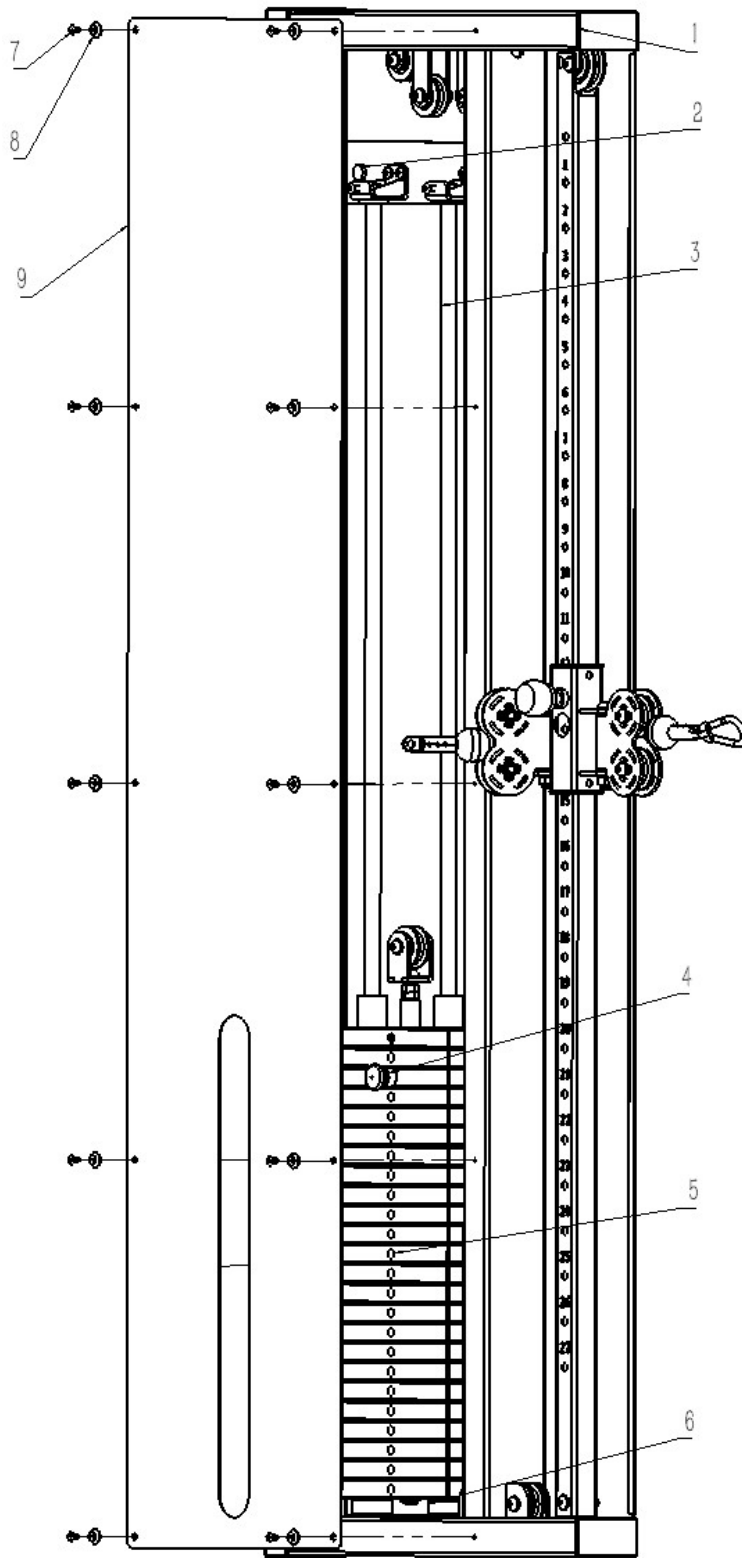


★ RECOIL

WALL MOUNT FTS GLIDE



Step 1: Assembly



The instructions		
No.	Description	Q'ty
1	The main frame	1
2	Concrete Anchor Expansion bolt M12*150	4
3	guide bar	2
4	Strong Magnetic Pins	1
5	weight stack	24
6	Rubber Cushion	2
7	Bolt M6*12	10
8	Washer $\varnothing 6$	10
9	Front Cover plate	1

REC1 F0028S