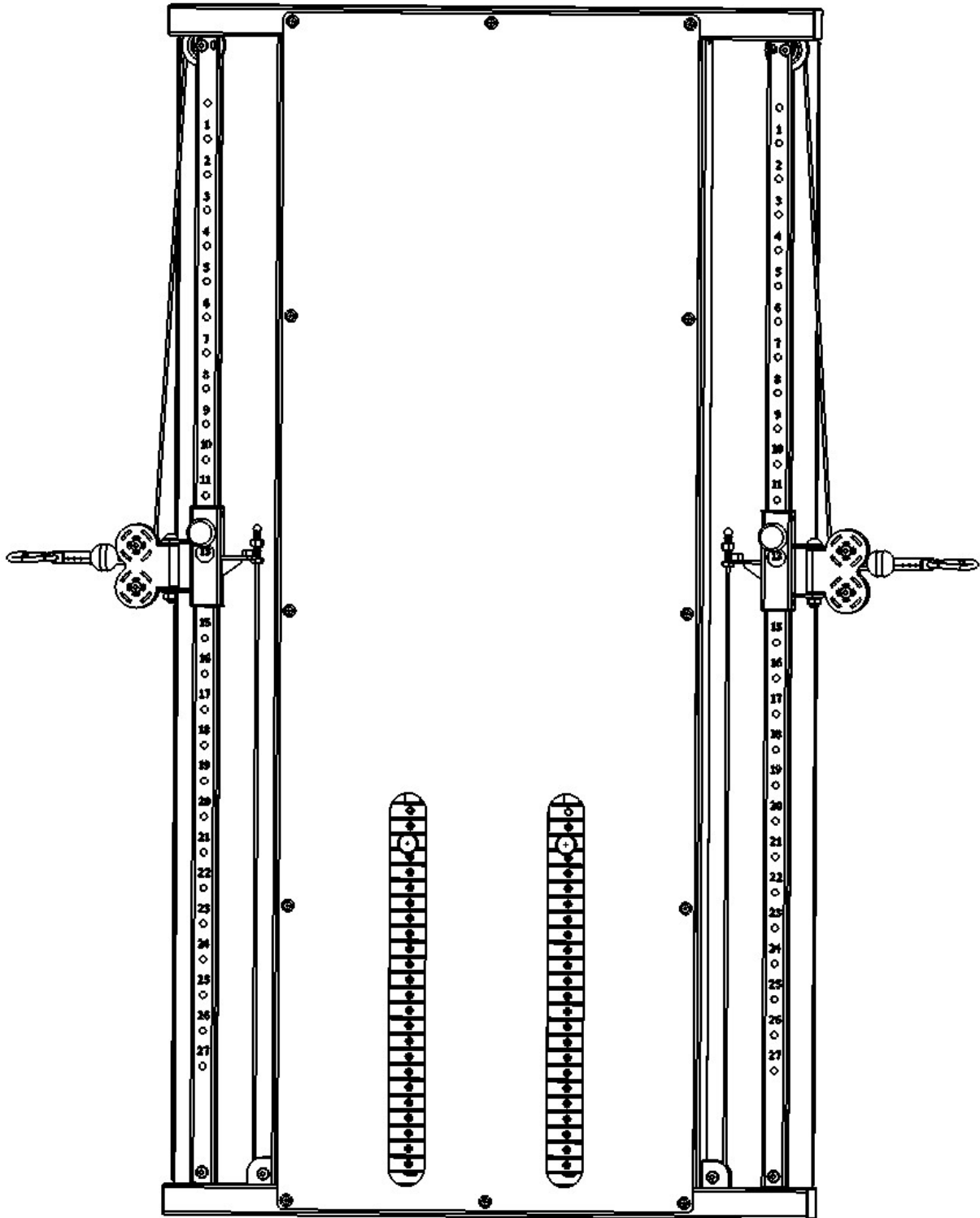
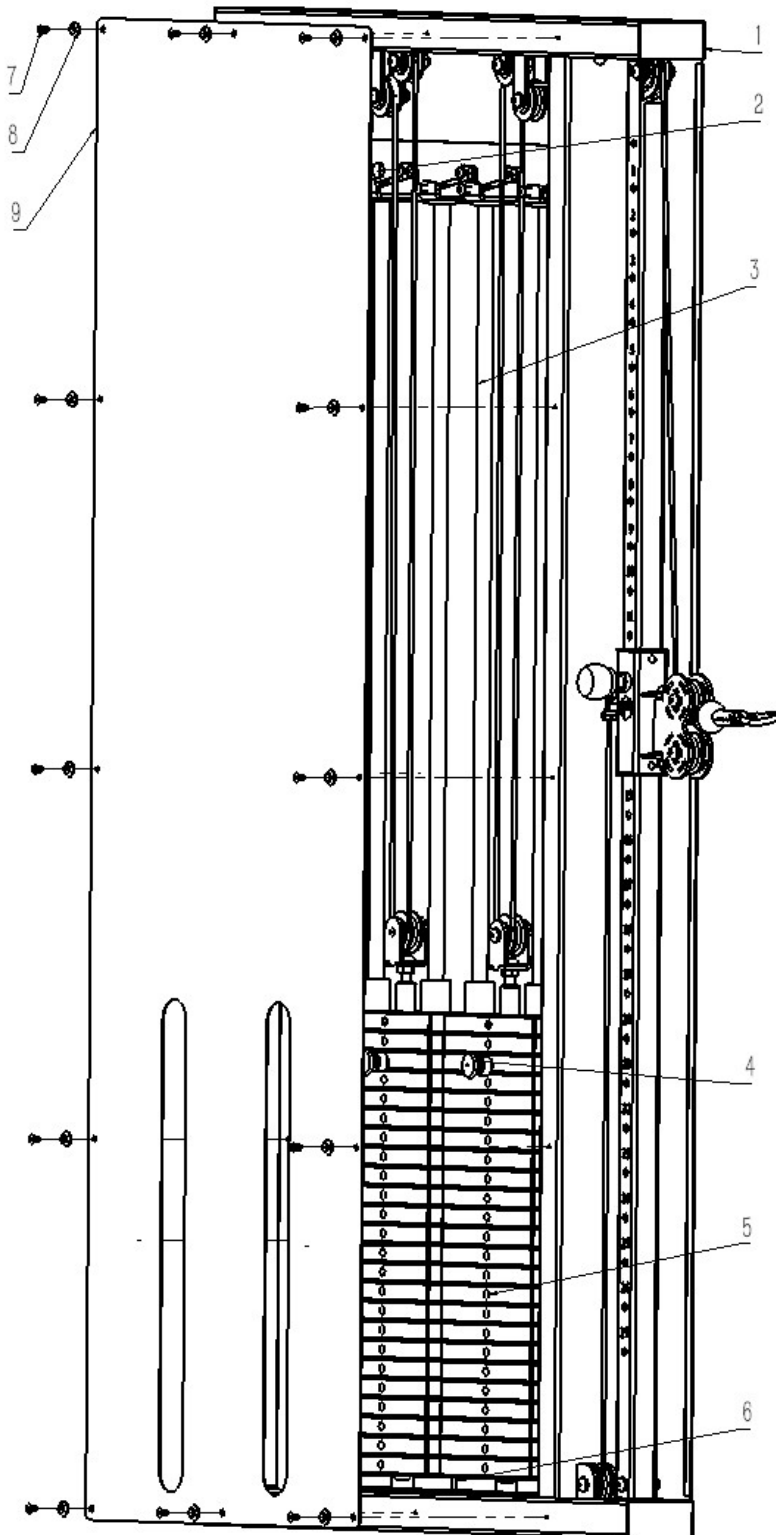


# ★ RECOIL

WALL MOUNT FTS GLIDE



## Step 1: Assembly



The instructions		
No.	Description	Q'ty
1	The main frame	1
2	Concrete Anchor Expansion bolt M12*150	4
3	guide bar	4
4	Strong Magnetic Pins	2
5	weight stack	48
6	Rubber Cushion	4
7	Bolt M6*12	12
8	Washer $\varnothing 6$	12
9	Front Cover plate	1

REC1 F0028